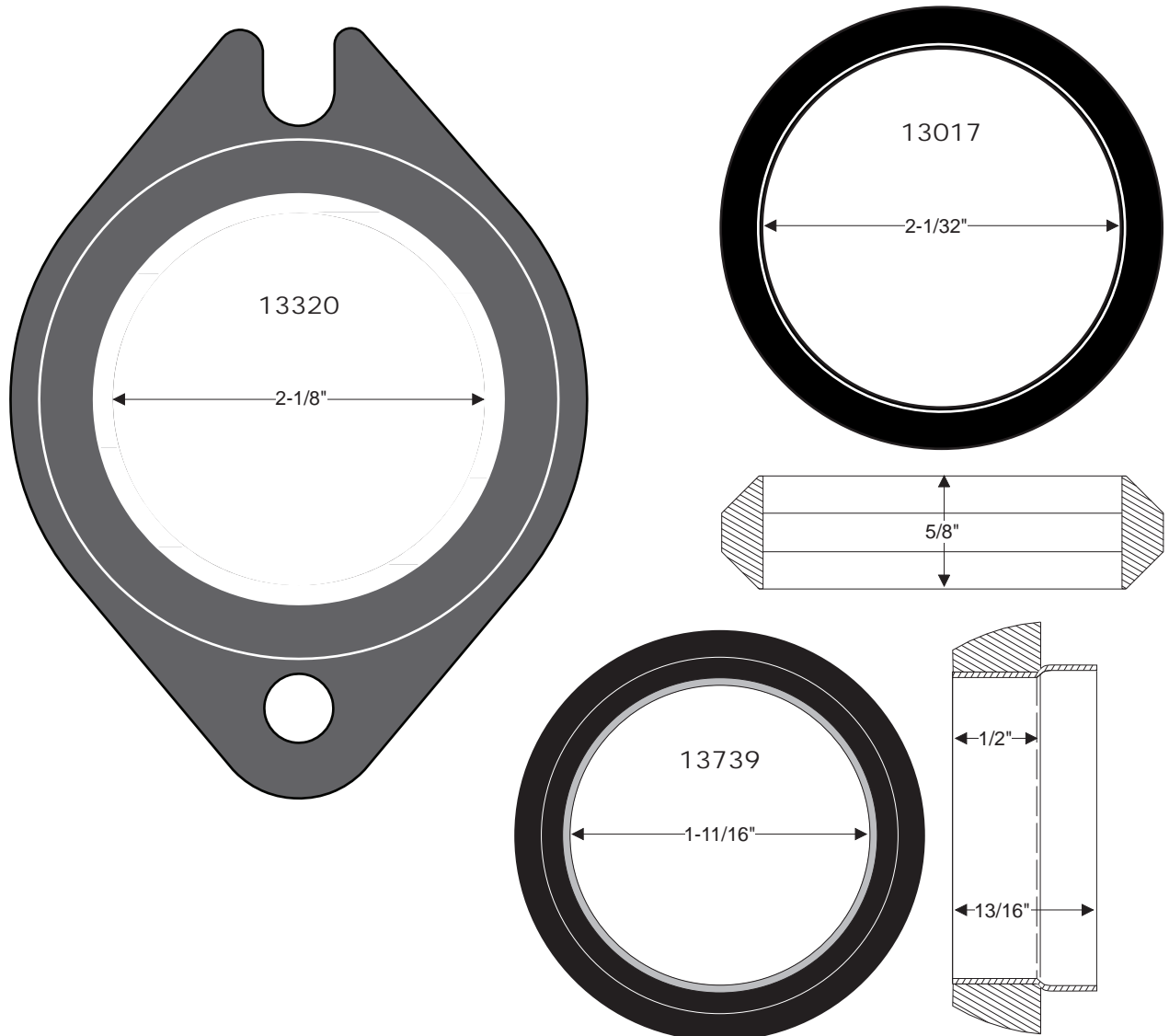


# Exhaust & Collector Gaskets

## Top 100 Actual Size Illustrations & Cross Reference Information



## ni 56006-1 Gasket Board Assortment

30 Printed Cards & 6 Blank

33 Hooks

1 Peg Board 2 x 4

ni number	Qty	ni number	Qty	ni number	Qty
13011	3	13574	4	13807	2
13017	4	13578	3	13841	3
13021	3	13584	4	13154	3
13023	4	13585	2	13236	2
13044	4	13659	4	13251	2
13057	3	13684	4	13316	2
13095	3	13733	3	13323	2
13096	4	13738	2	13731	3
13110	3	13758	2	13751	4
13509	4	13783	3	13846	2

56006 PROVIDES 45% OEM GASKET COVERAGE COMBINE WITH 56007 FOR 75% COVERAGE OF OEM STYLE GASKETS

## ni 56007-1 Gasket Board Assortment

30 Printed Cards & 6 Blank

33 Hooks

1 Peg Board 2 x 4

ni number	Qty	ni number	Qty	ni number	Qty
13020	3	13338	2	13743	2
13070	3	13594	2	13767	2
13081	2	13615	2	13798	2
13109	2	13635	3	13800	2
13206	2	13647	2	13818	2
13295	2	13648	2	13826	2
13315	2	13694	3	13843	2
13320	3	13736	2	13847	2
13330	2	13737	2	13854	2
13337	2	13742	2	13981	2

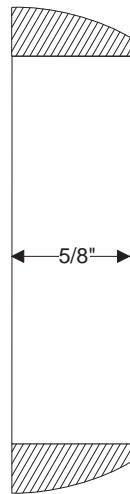
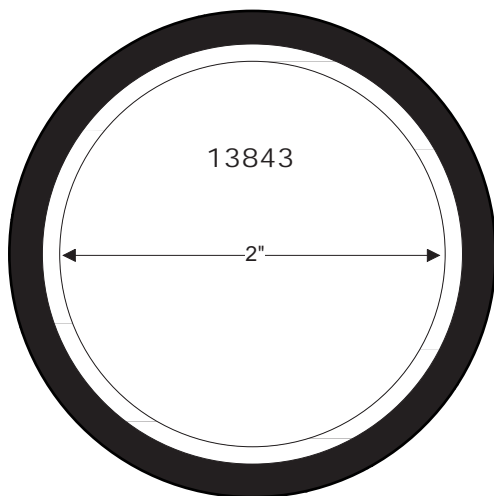
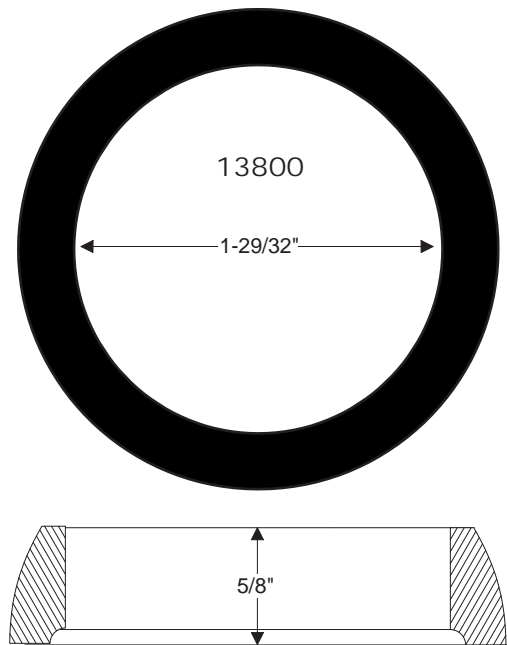
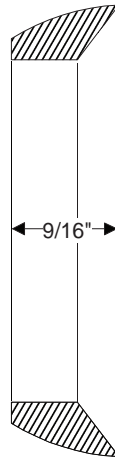
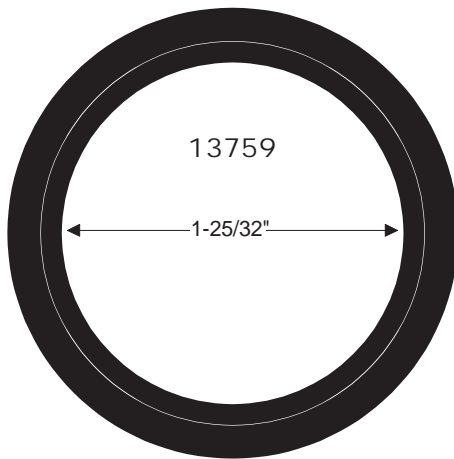
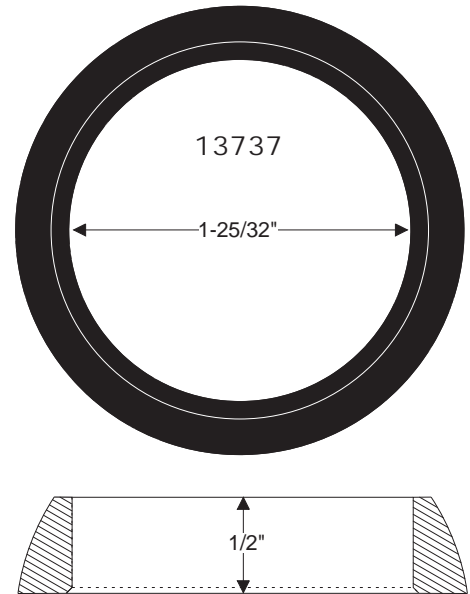
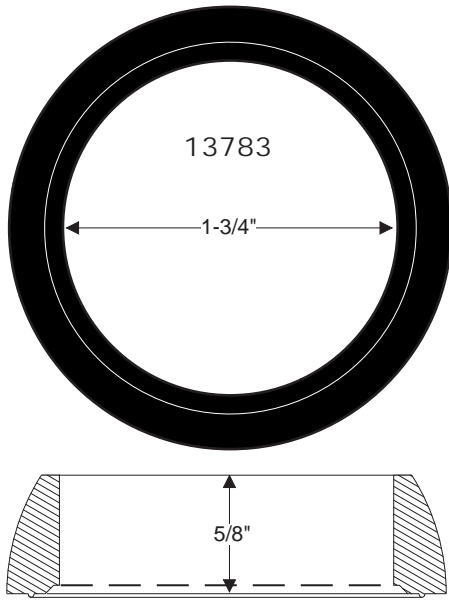


56006-1

# Exhaust Gaskets "Top 100 Illustrations"

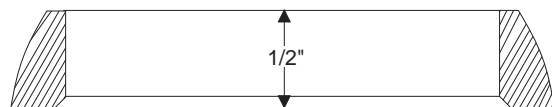
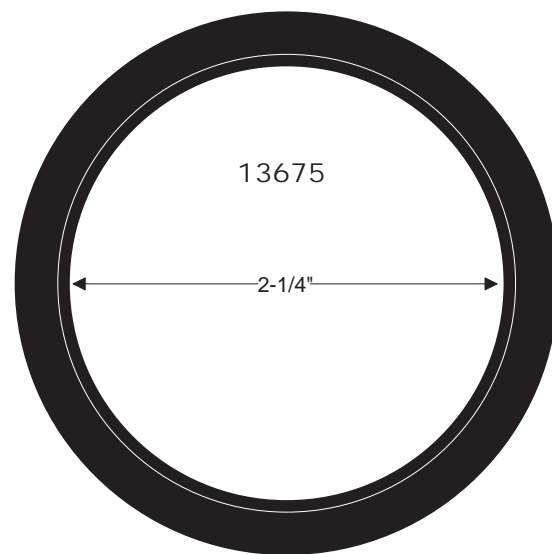
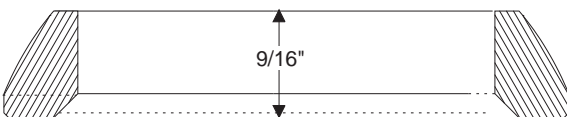
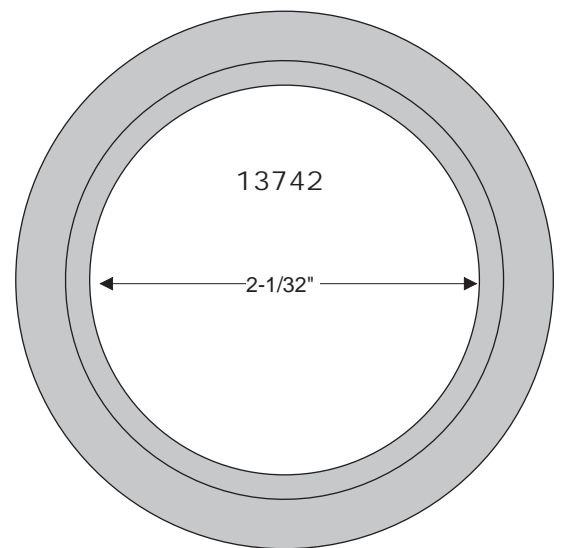
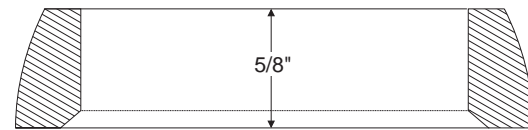
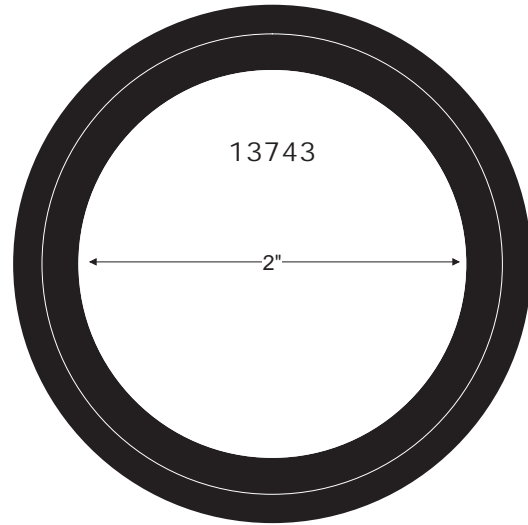
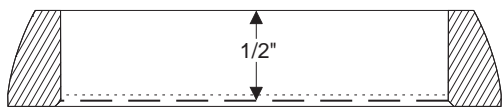
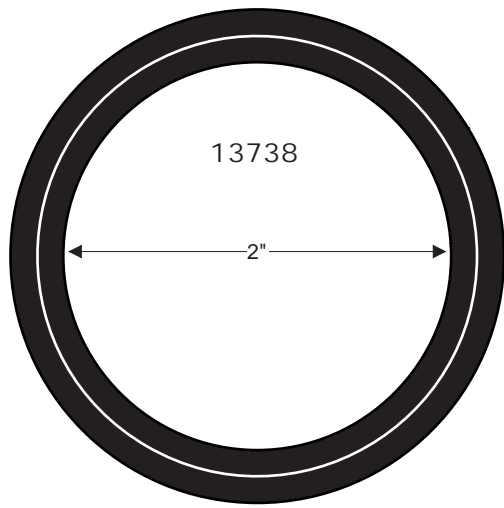
## Type 1

Nickson offers a complete line of exhaust gaskets. Refer to the application catalog for a detailed listing.



## Type 1

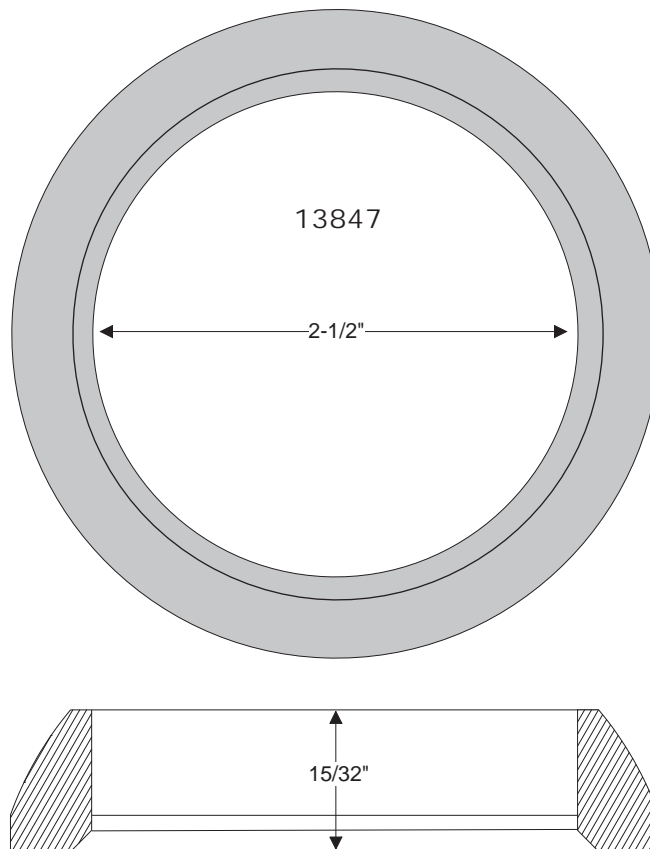
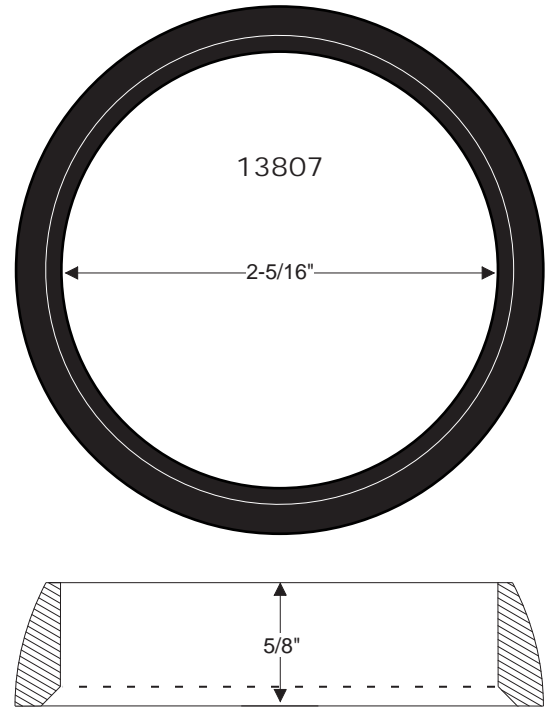
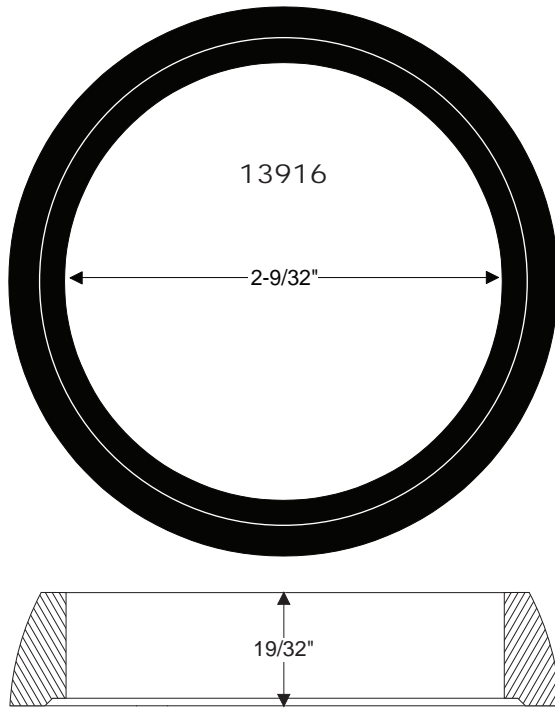
Nickson offers a complete line of exhaust gaskets. Refer to the application catalog for a detailed listing.



# Exhaust Gaskets "Top 100 Illustrations"

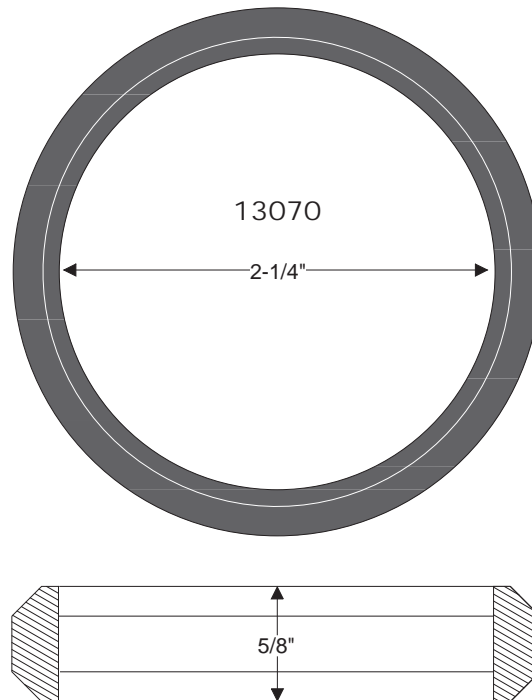
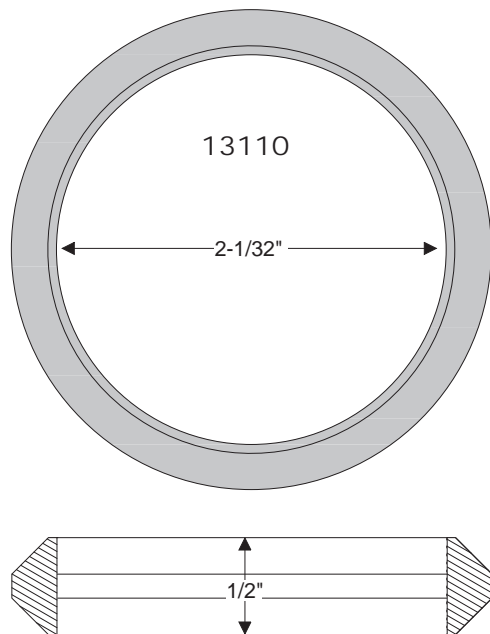
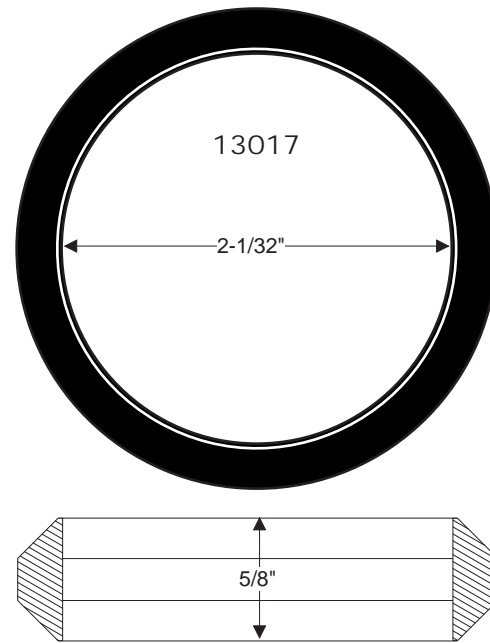
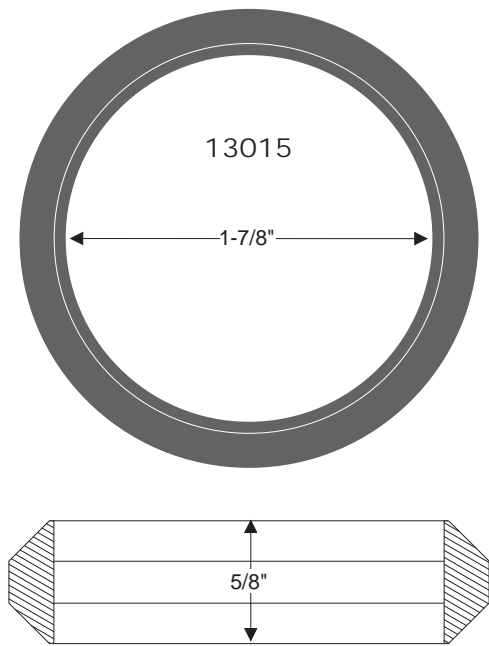
## Type 1

Nickson offers a complete line of exhaust gaskets. Refer to the application catalog for a detailed listing.



## Type 3

Nickson offers a complete line of exhaust gaskets. Refer to the application catalog for a detailed listing.

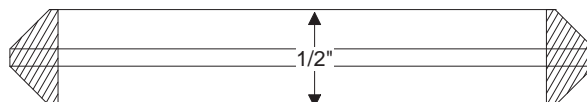
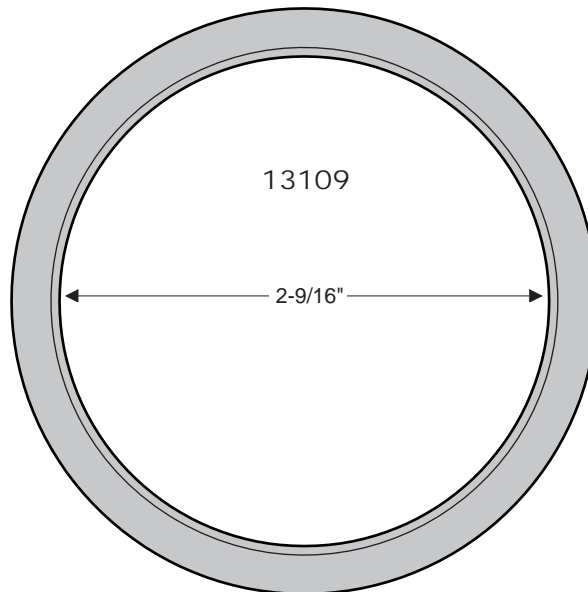
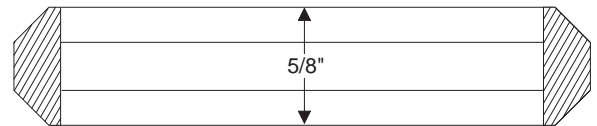
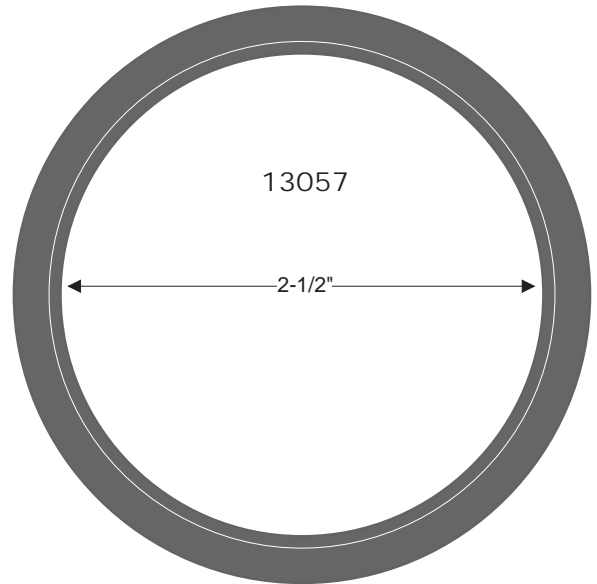
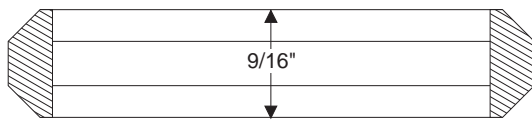
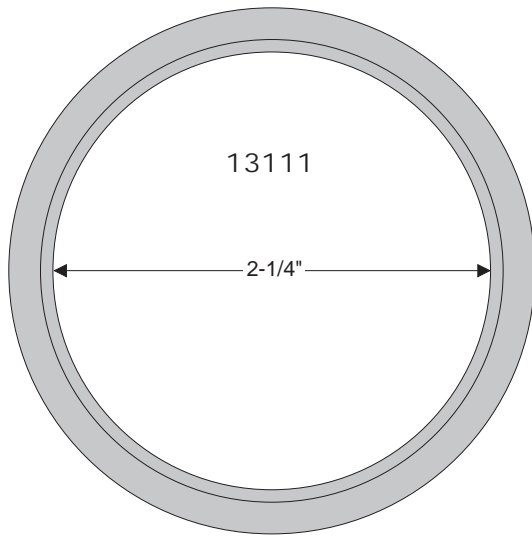




# Exhaust Gaskets "Top 100 Illustrations"

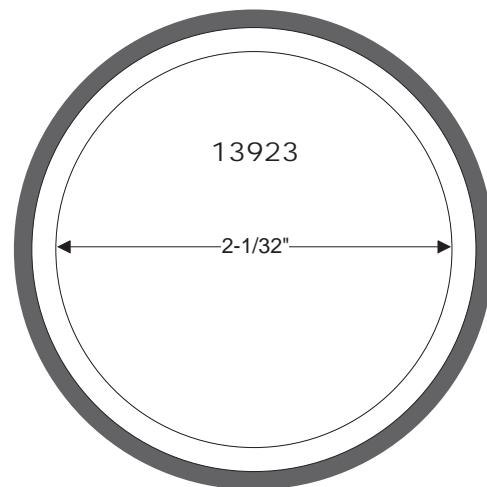
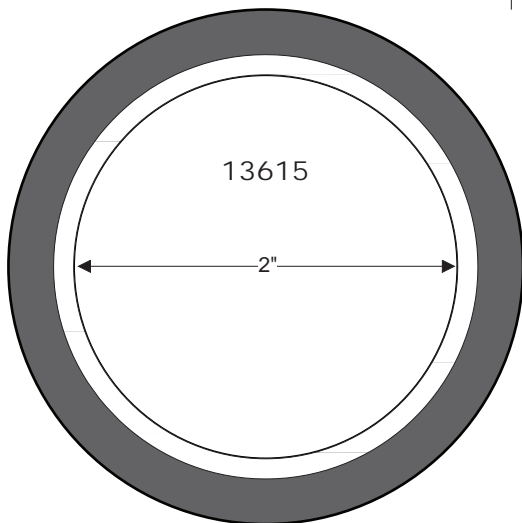
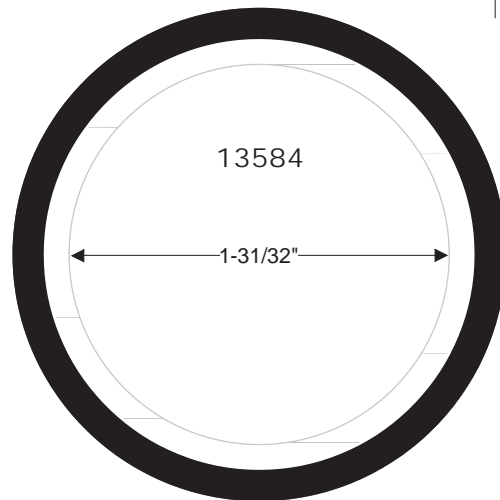
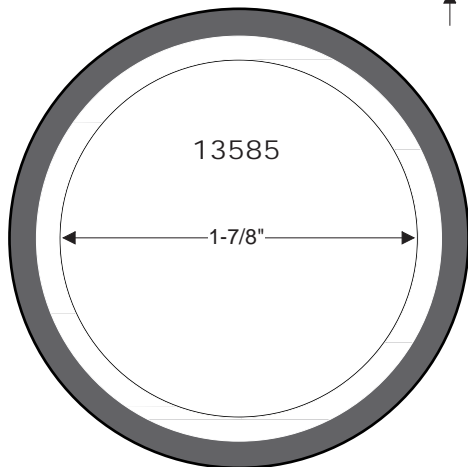
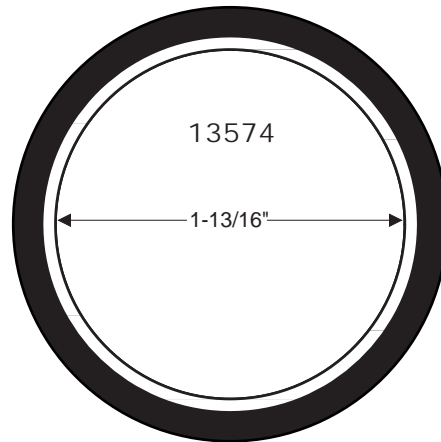
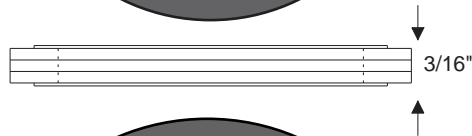
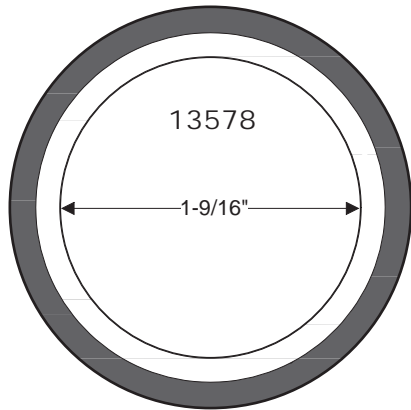
## Type 3

Nickson offers a complete line of exhaust gaskets. Refer to the application catalog for a detailed listing.



## Type 4

Nickson offers a complete line of exhaust gaskets. Refer to the application catalog for a detailed listing.

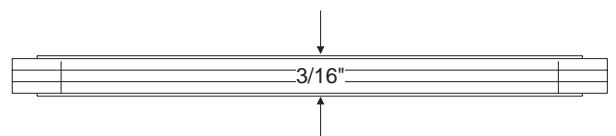
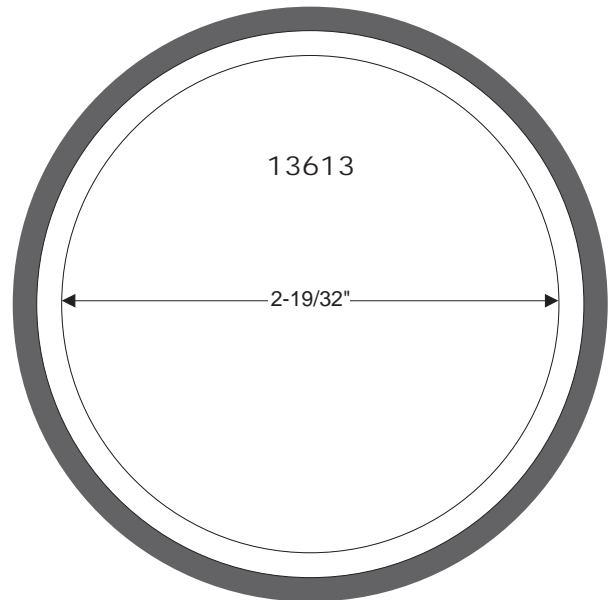
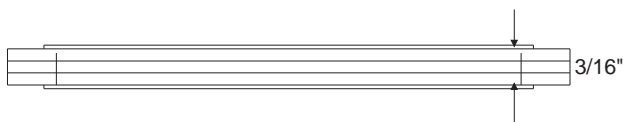
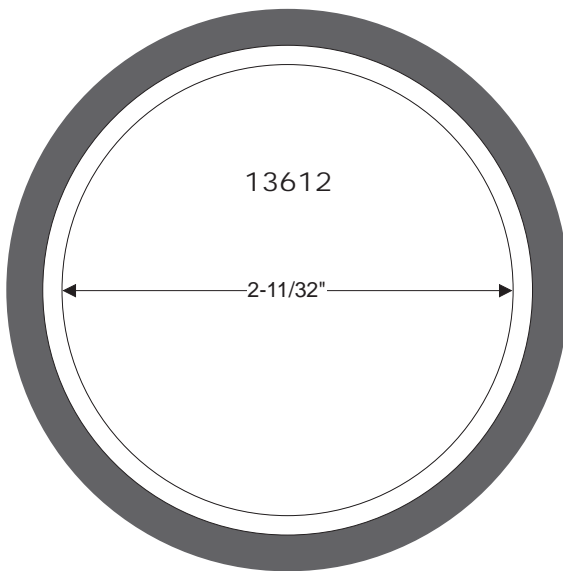
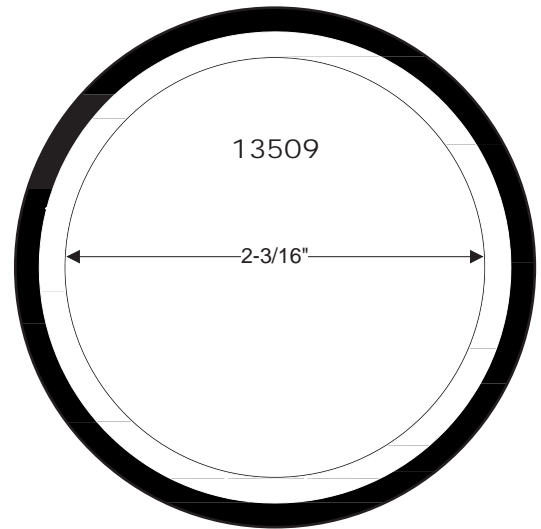
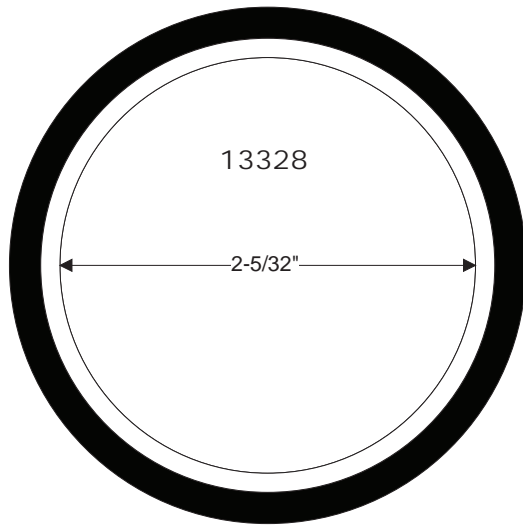




# Exhaust Gaskets "Top 100 Illustrations"

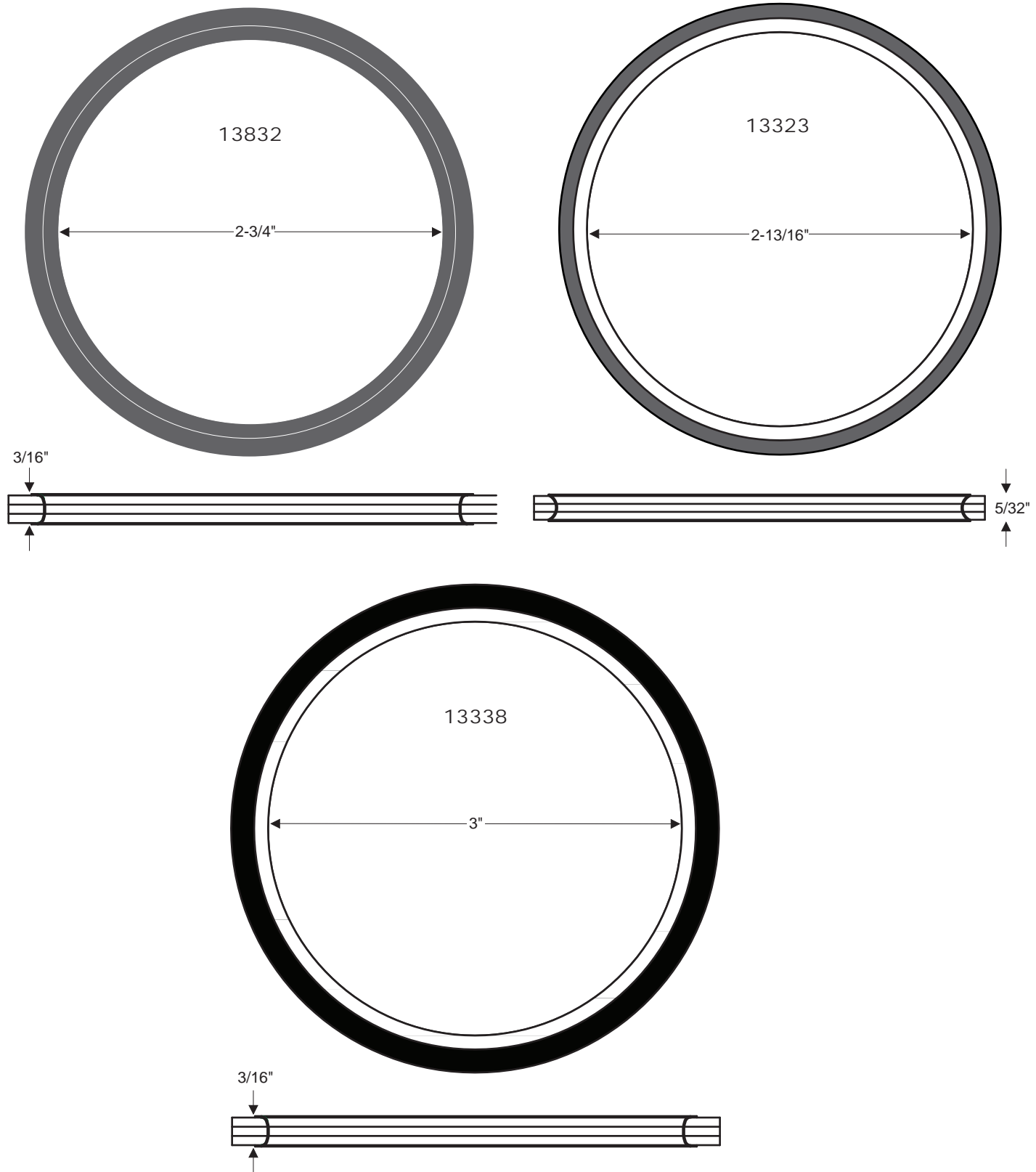
## Type 4

Nickson offers a complete line of exhaust gaskets. Refer to the application catalog for a detailed listing.



## Type 4

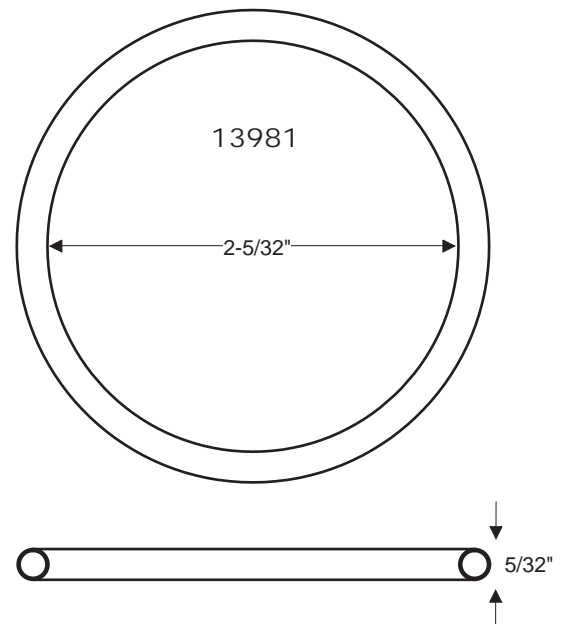
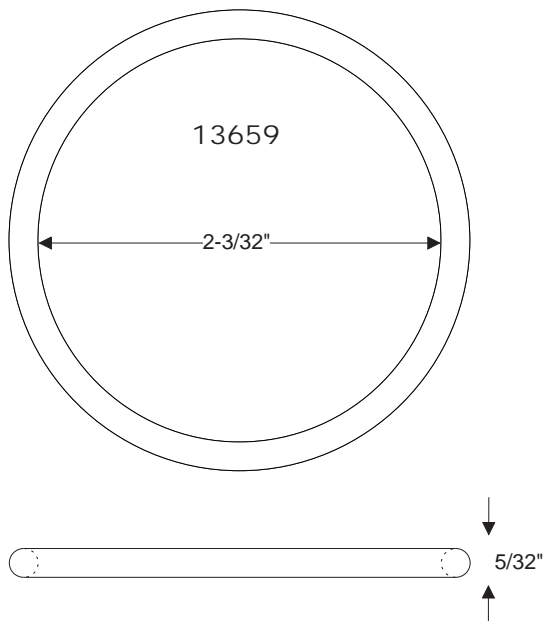
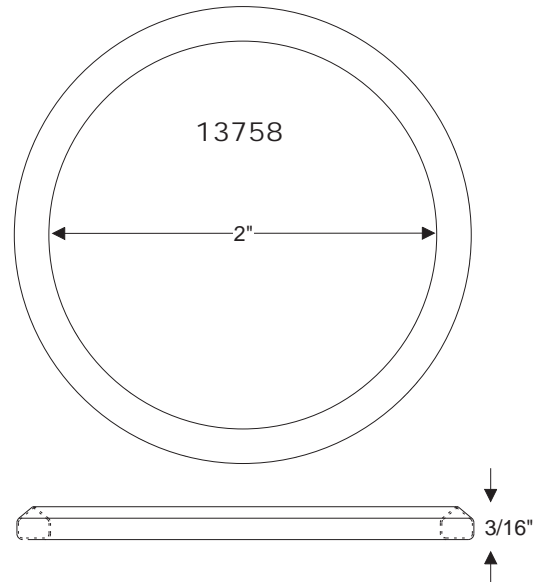
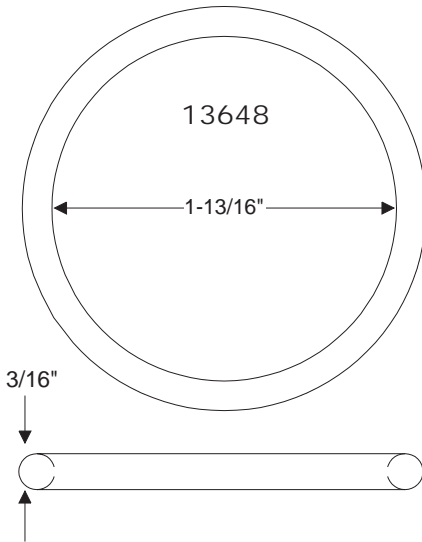
Nickson offers a complete line of exhaust gaskets. Refer to the application catalog for a detailed listing.



# Exhaust Gaskets "Top 100 Illustrations"

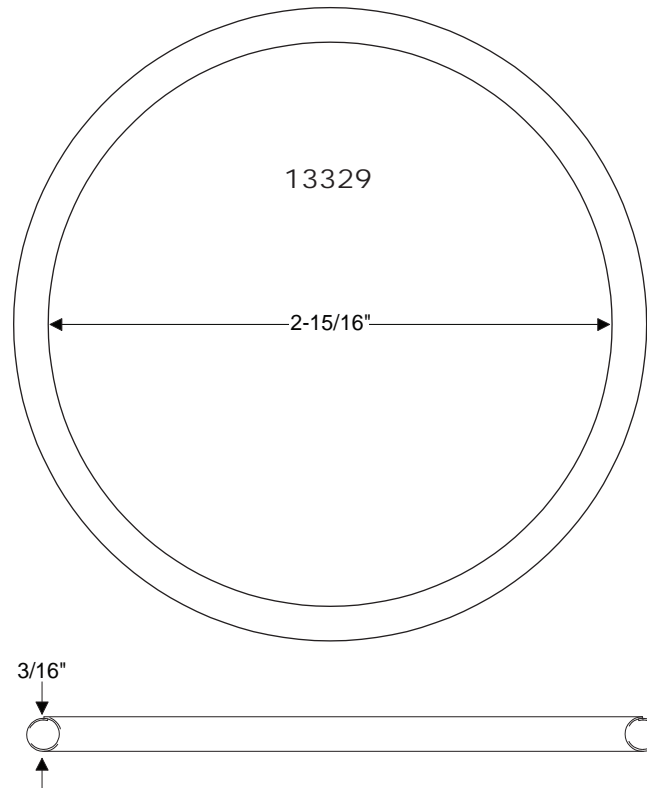
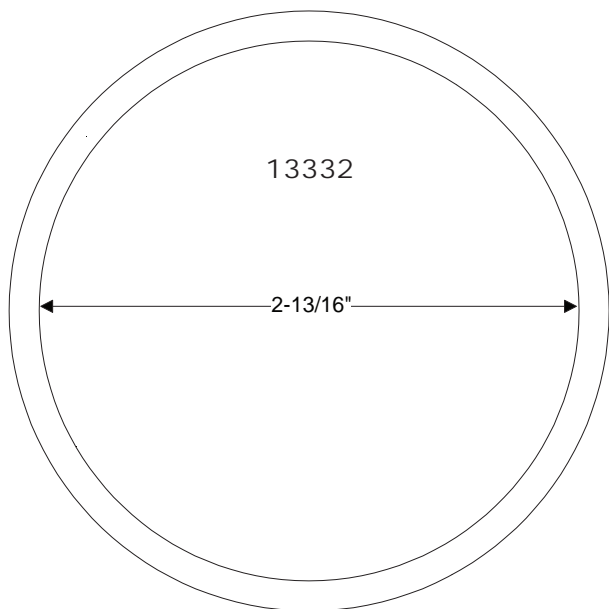
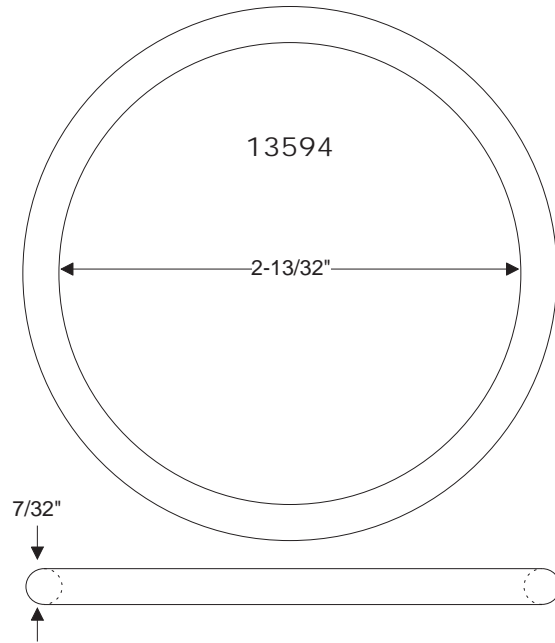
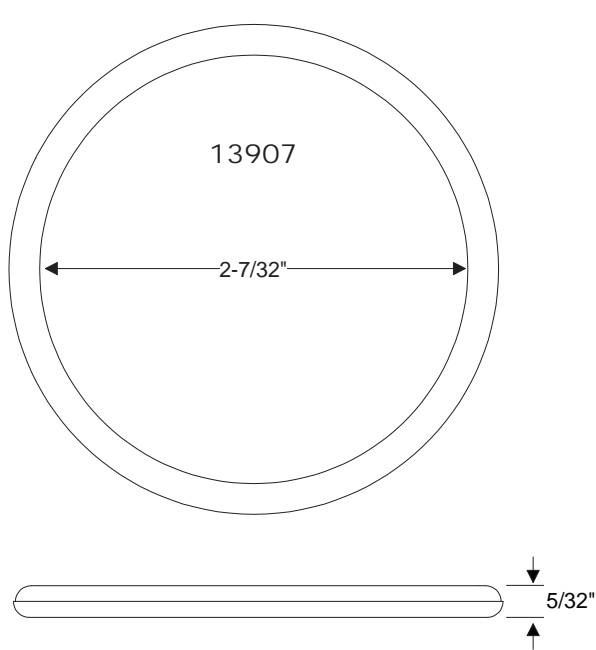
## Type 5

Nickson offers a complete line of exhaust gaskets. Refer to the application catalog for a detailed listing.



## Type 5

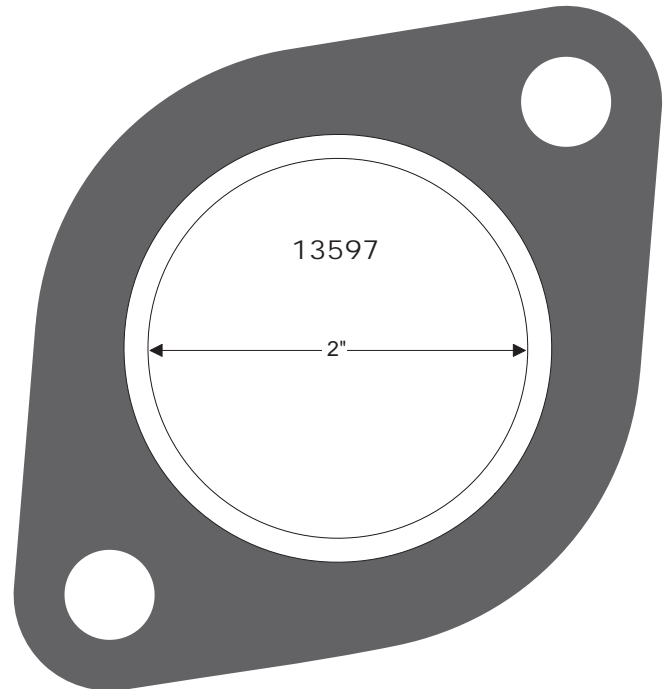
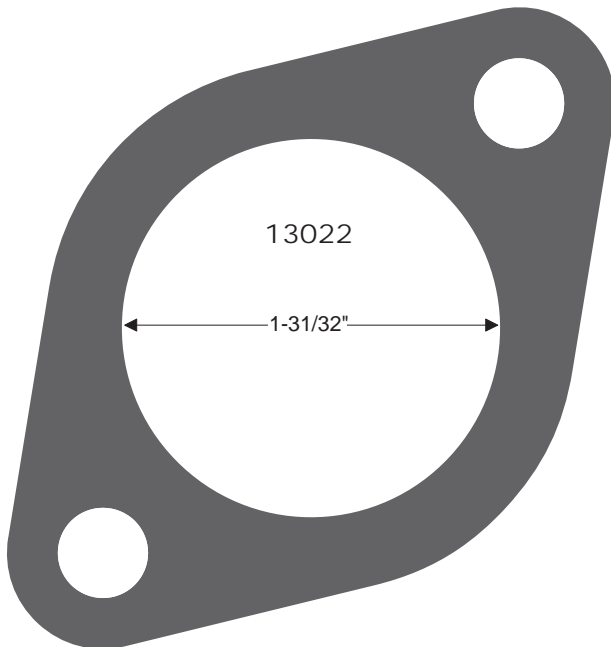
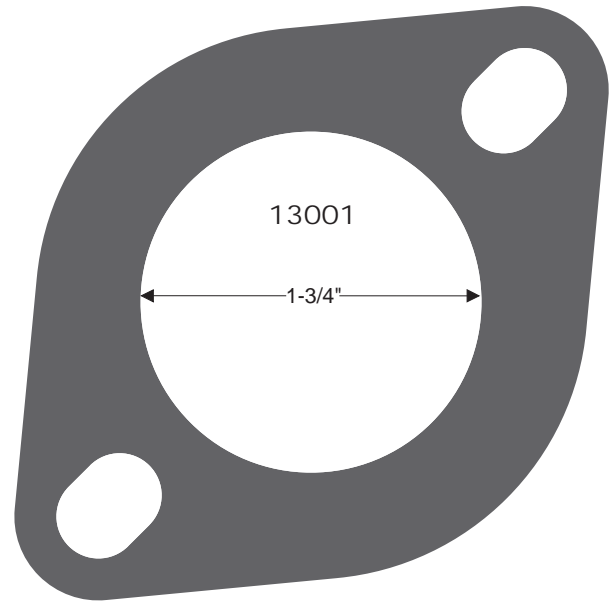
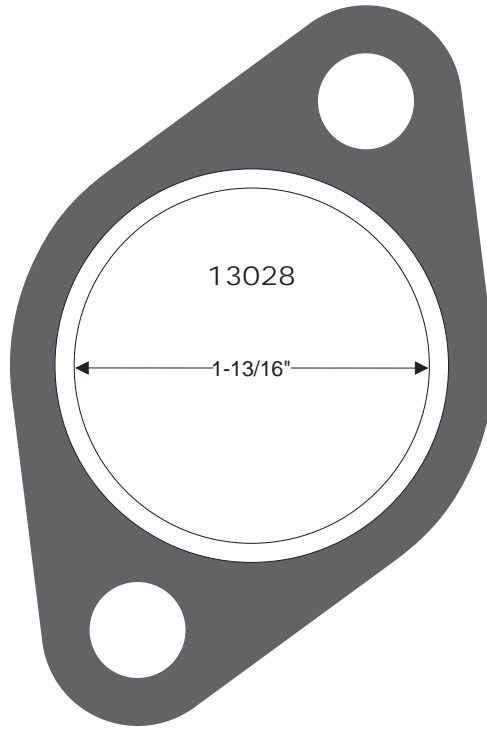
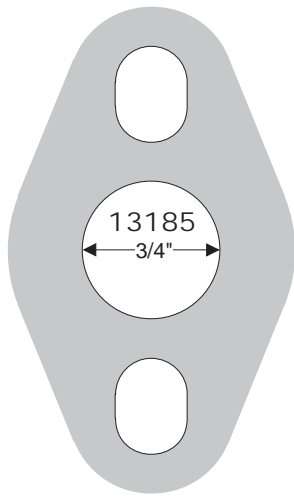
Nickson offers a complete line of exhaust gaskets. Refer to the application catalog for a detailed listing.



# Exhaust Gaskets "Top 100 Illustrations"

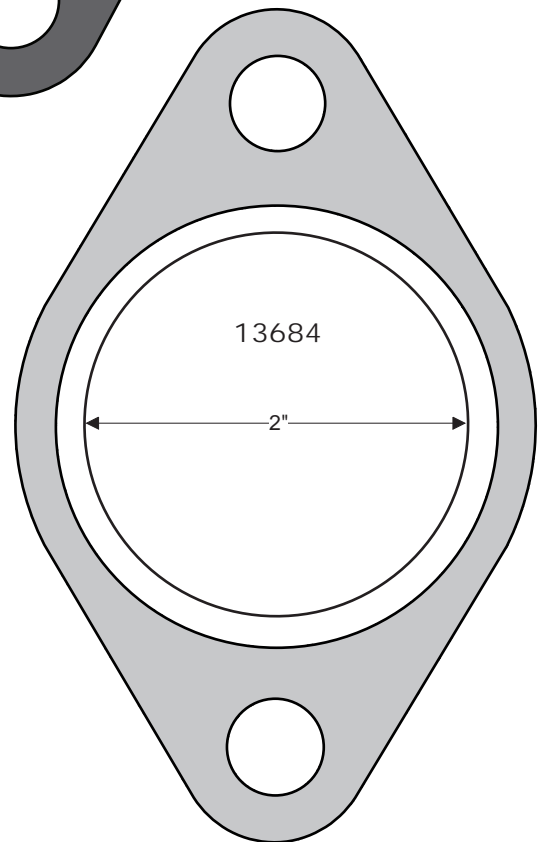
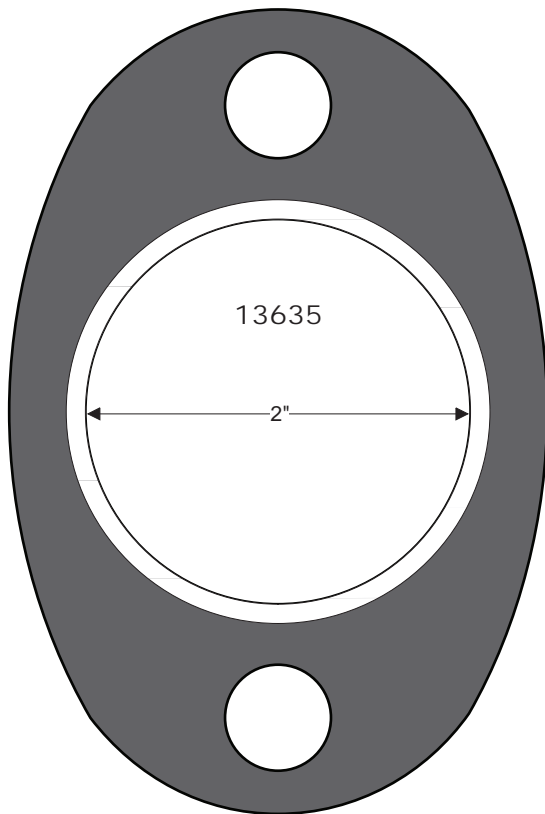
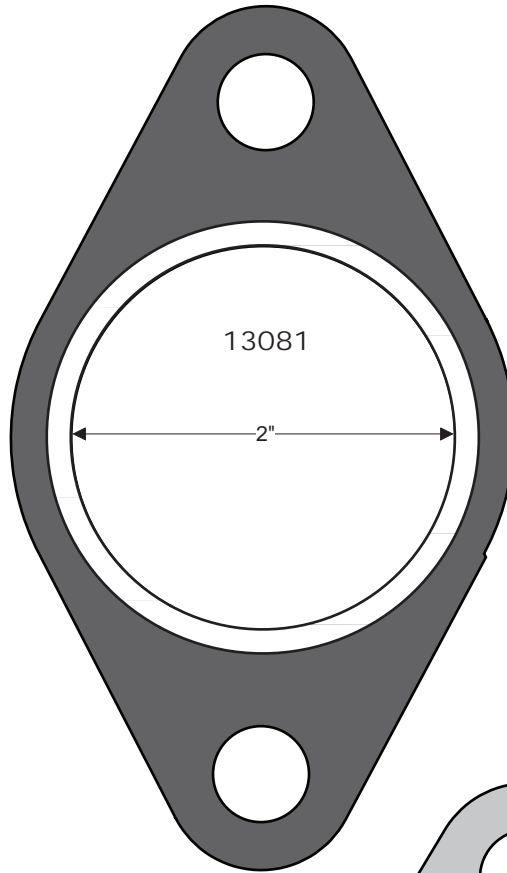
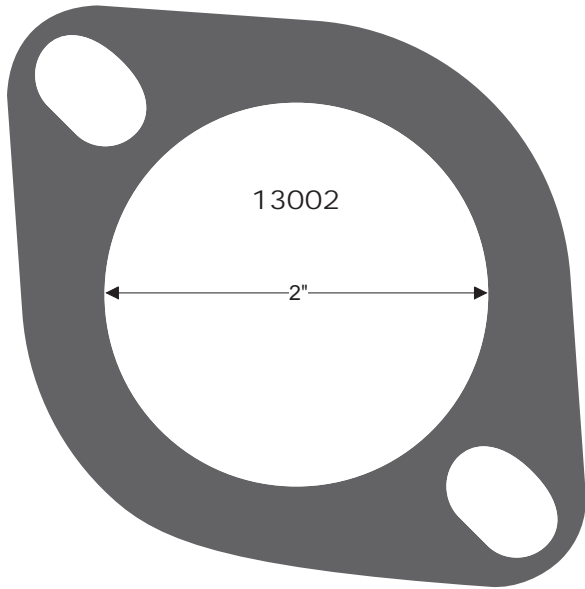
## Type 7

Nickson offers a complete line of exhaust gaskets. Refer to the application catalog for a detailed listing.



## Type 7

Nickson offers a complete line of exhaust gaskets. Refer to the application catalog for a detailed listing.

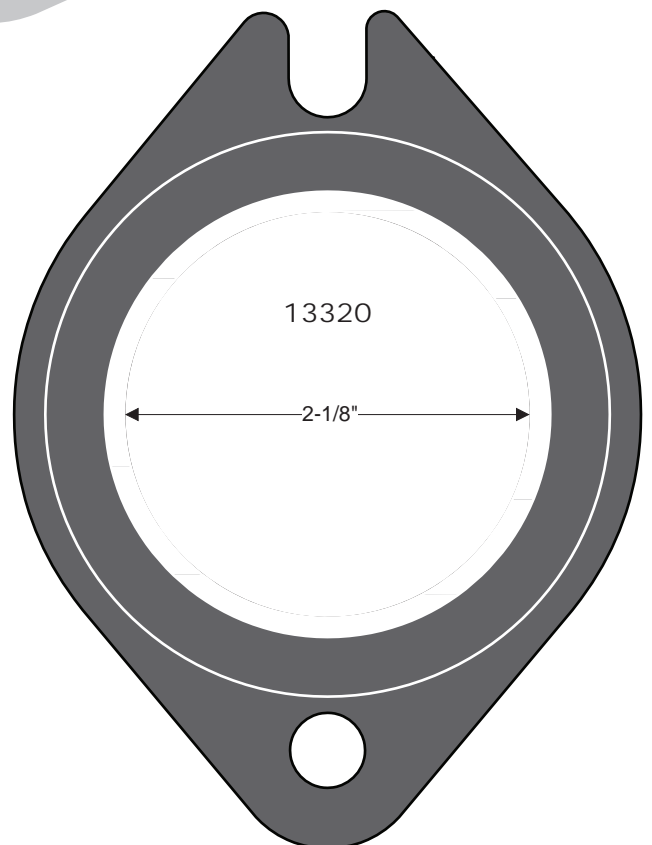
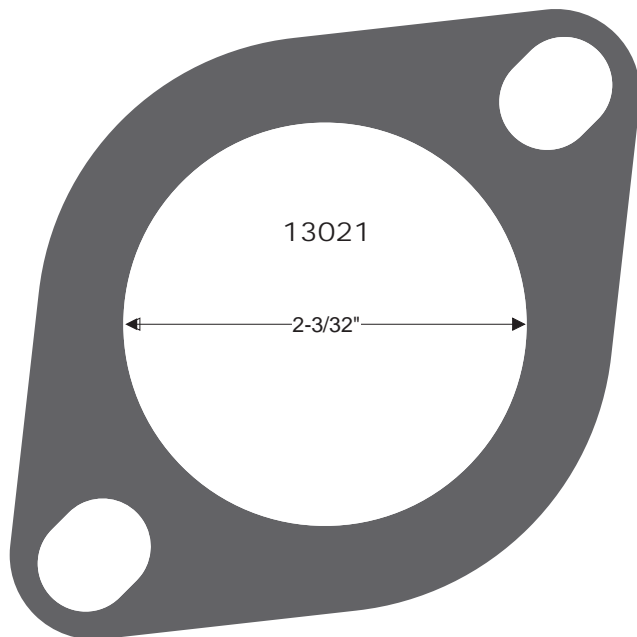
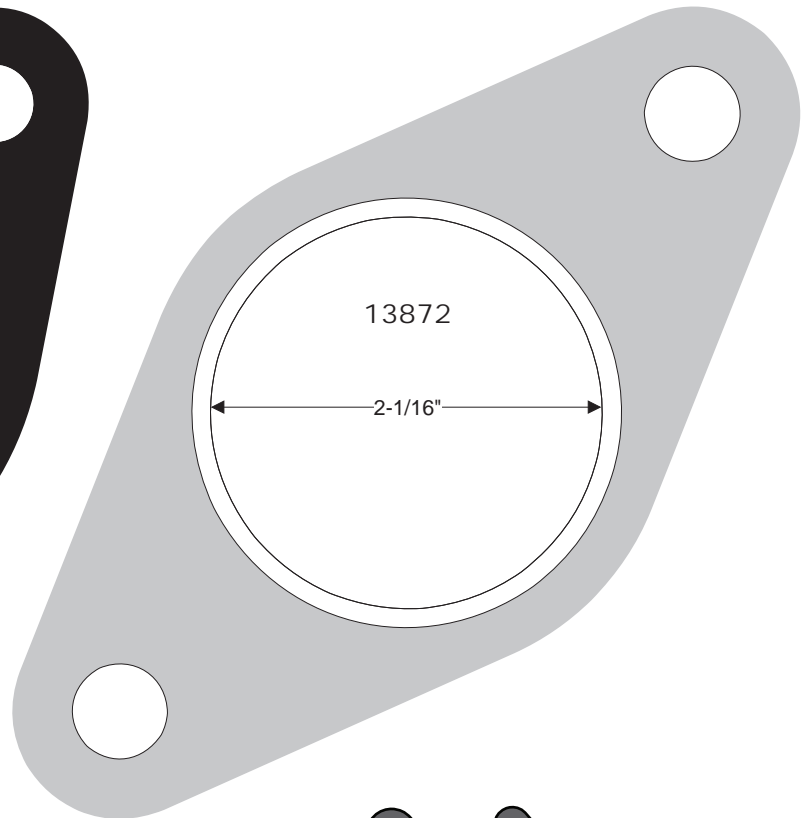
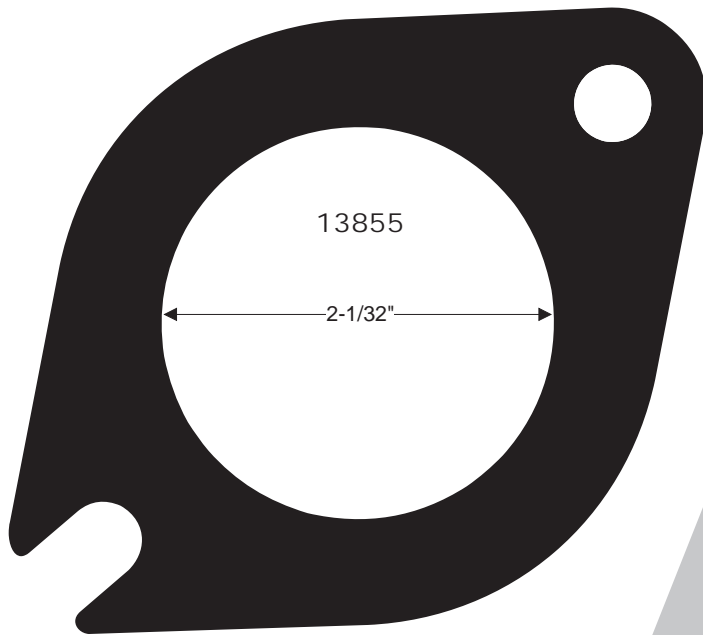




# Exhaust Gaskets "Top 100 Illustrations"

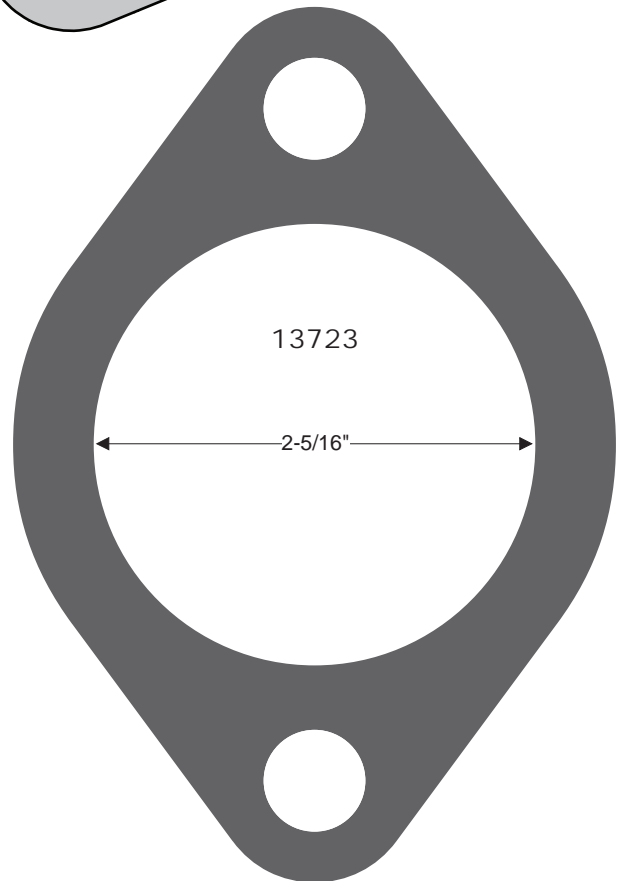
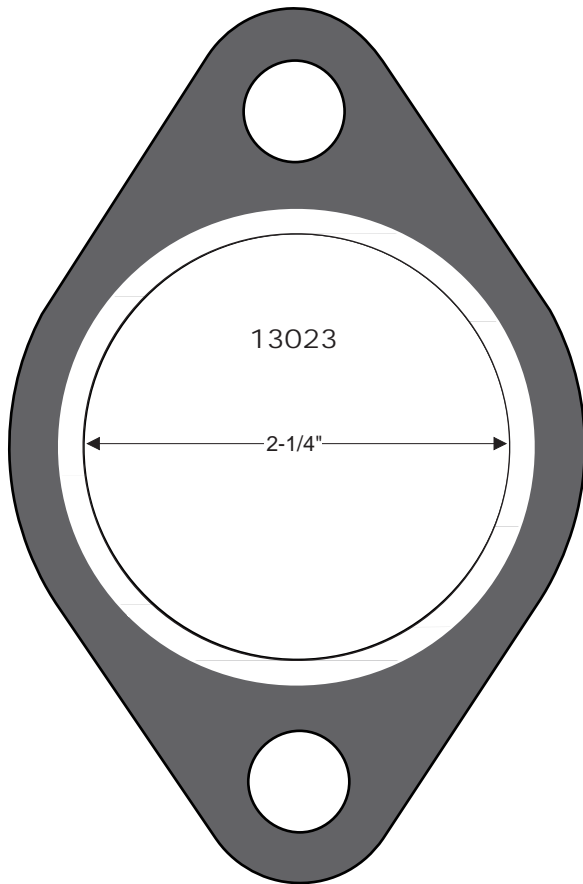
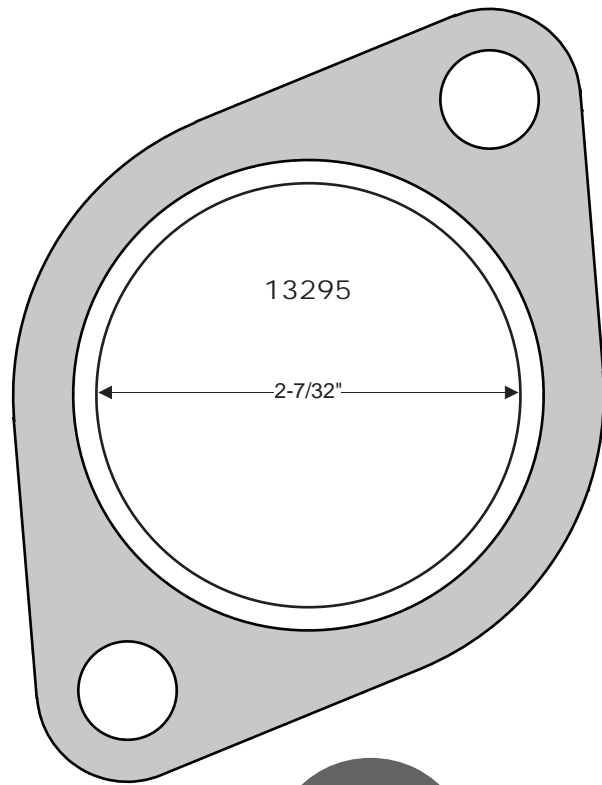
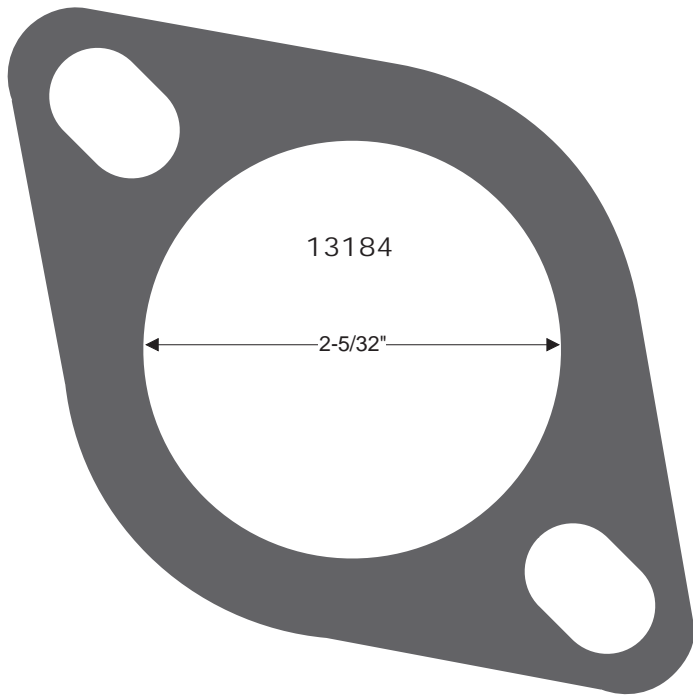
## Type 7

Nickson offers a complete line of exhaust gaskets. Refer to the application catalog for a detailed listing.



## Type 7

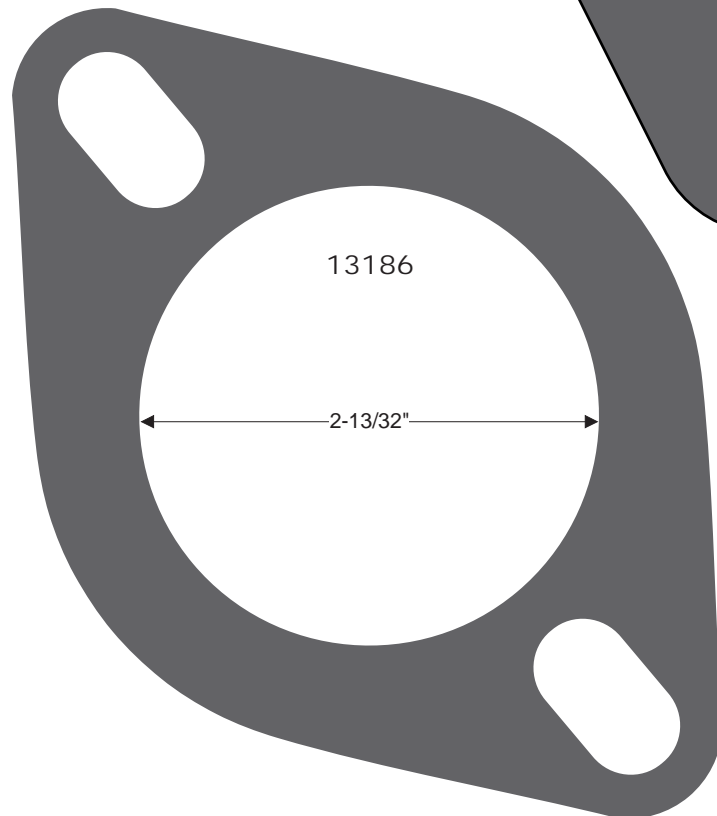
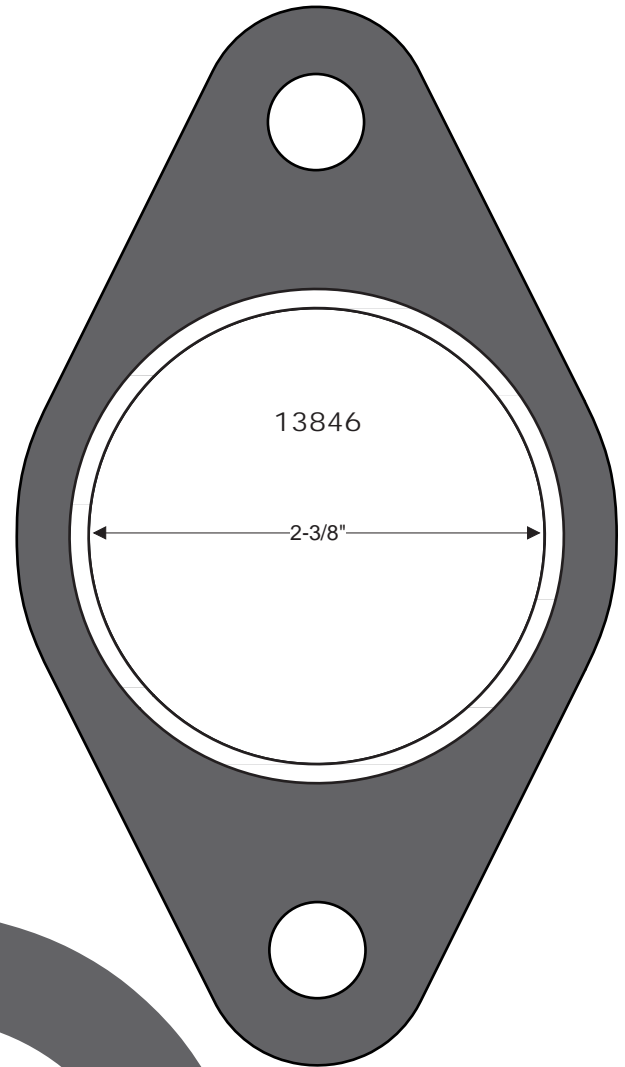
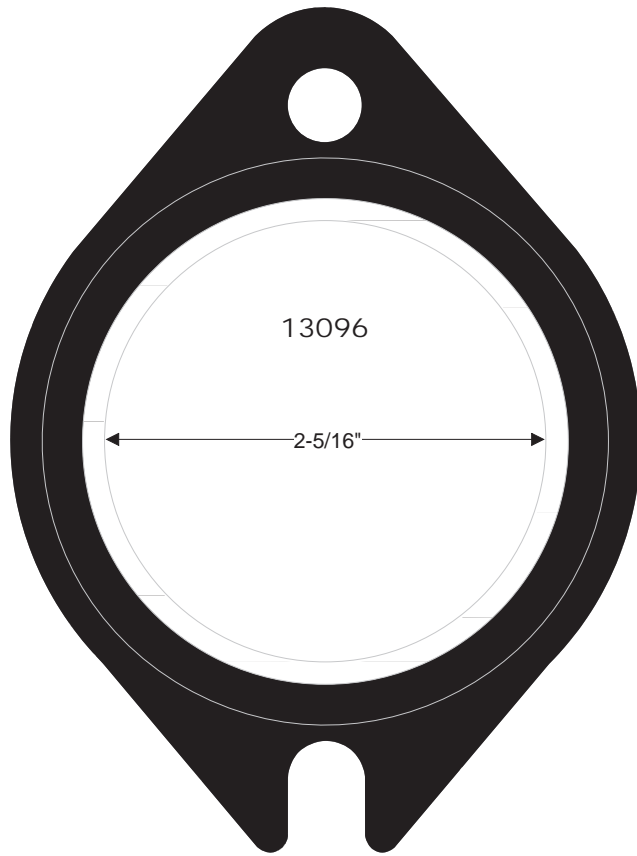
Nickson offers a complete line of exhaust gaskets. Refer to the application catalog for a detailed listing.



# Exhaust Gaskets "Top 100 Illustrations"

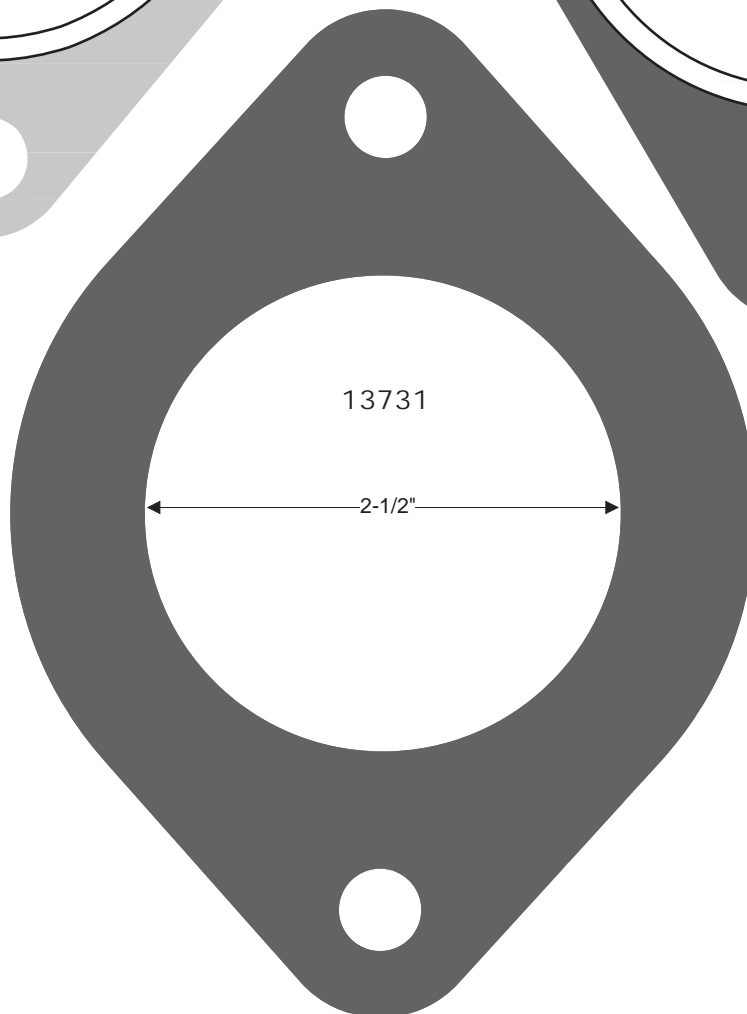
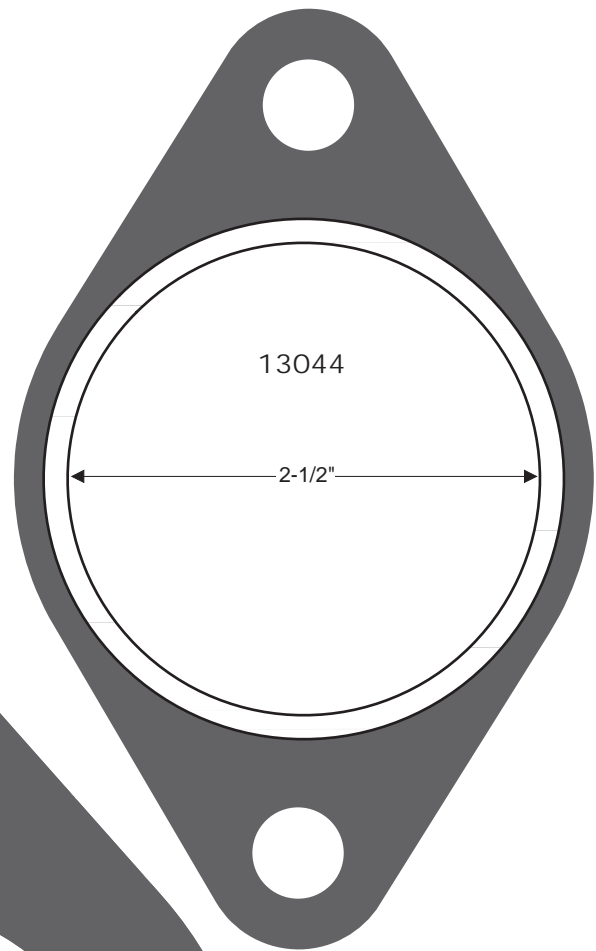
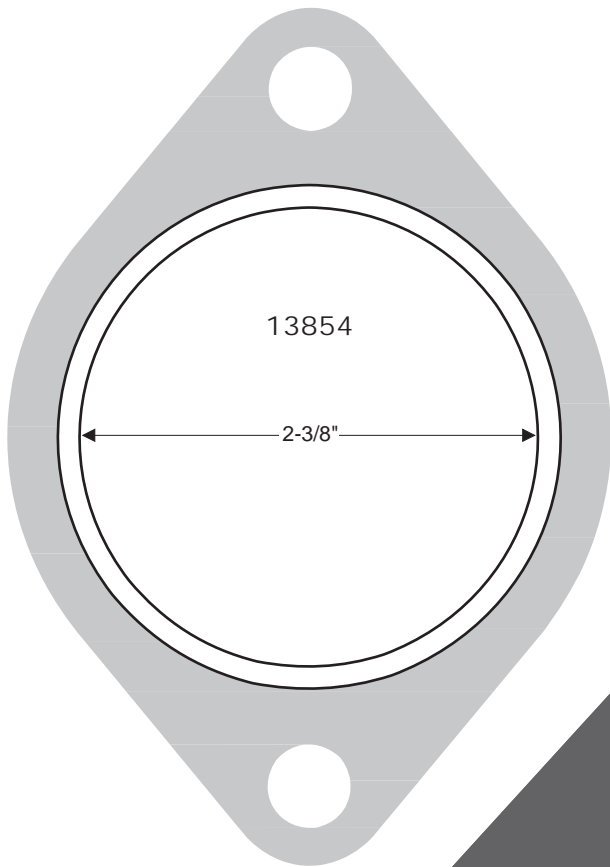
## Type 7

Nickson offers a complete line of exhaust gaskets. Refer to the application catalog for a detailed listing.



## Type 7

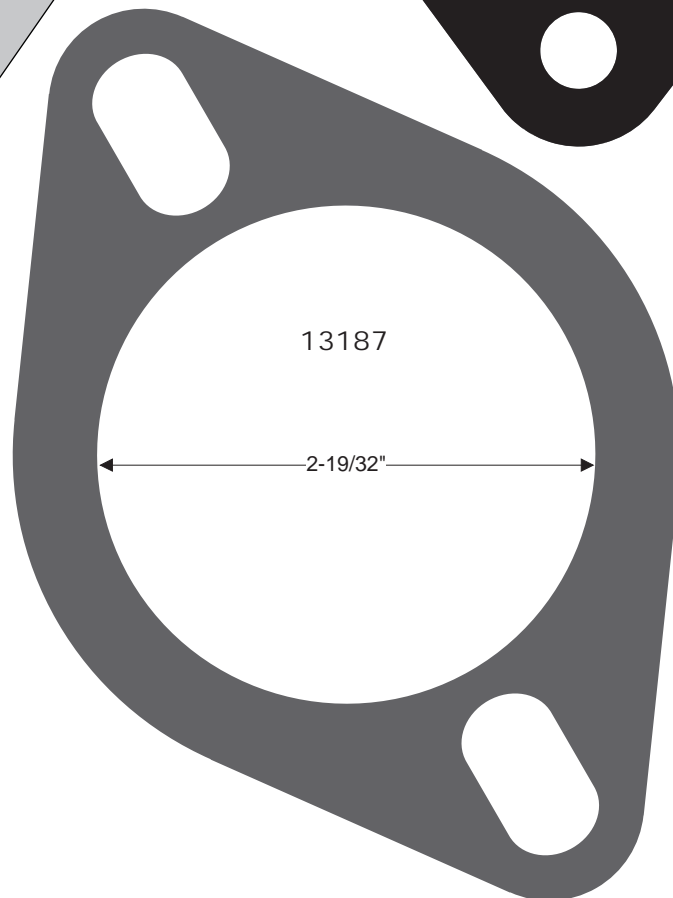
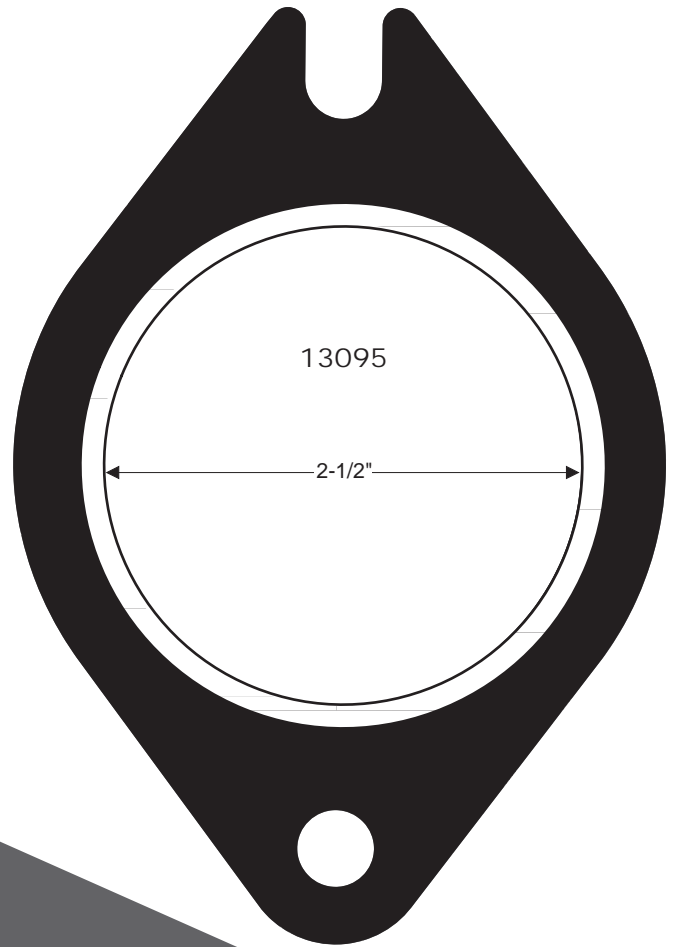
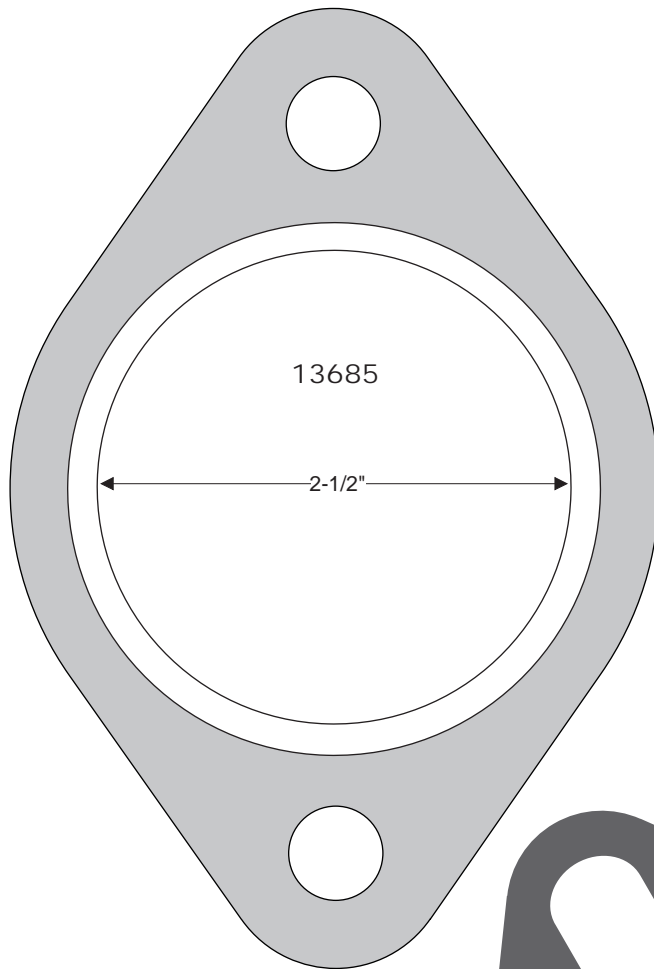
Nickson offers a complete line of exhaust gaskets. Refer to the application catalog for a detailed listing.



# Exhaust Gaskets "Top 100 Illustrations"

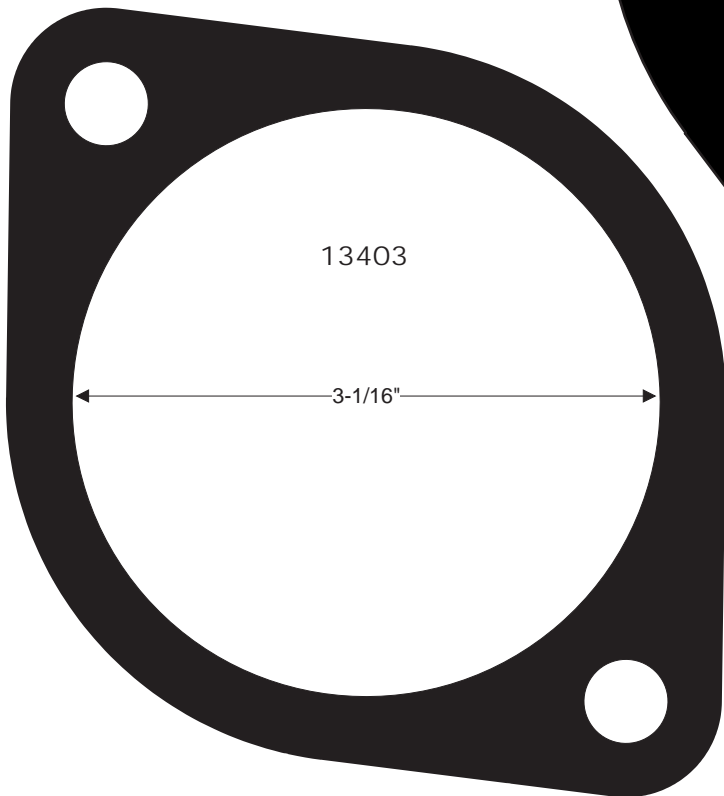
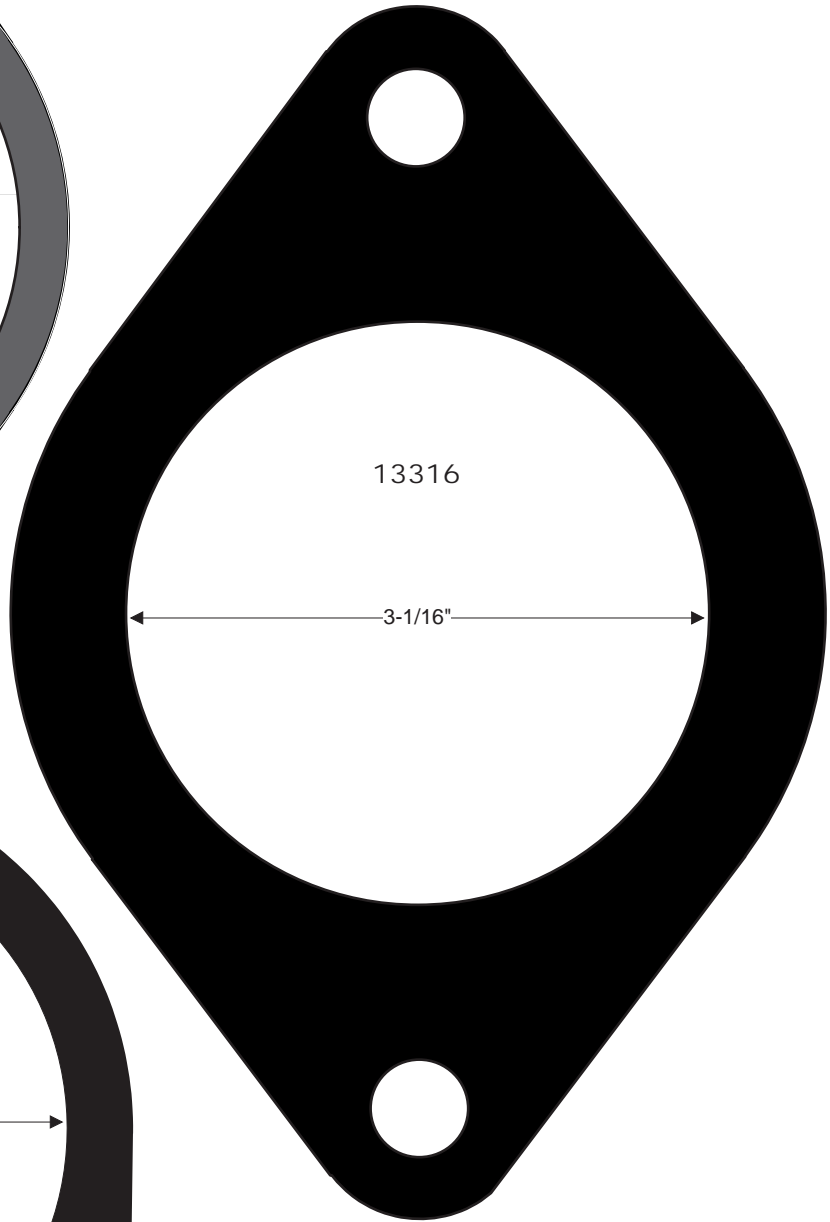
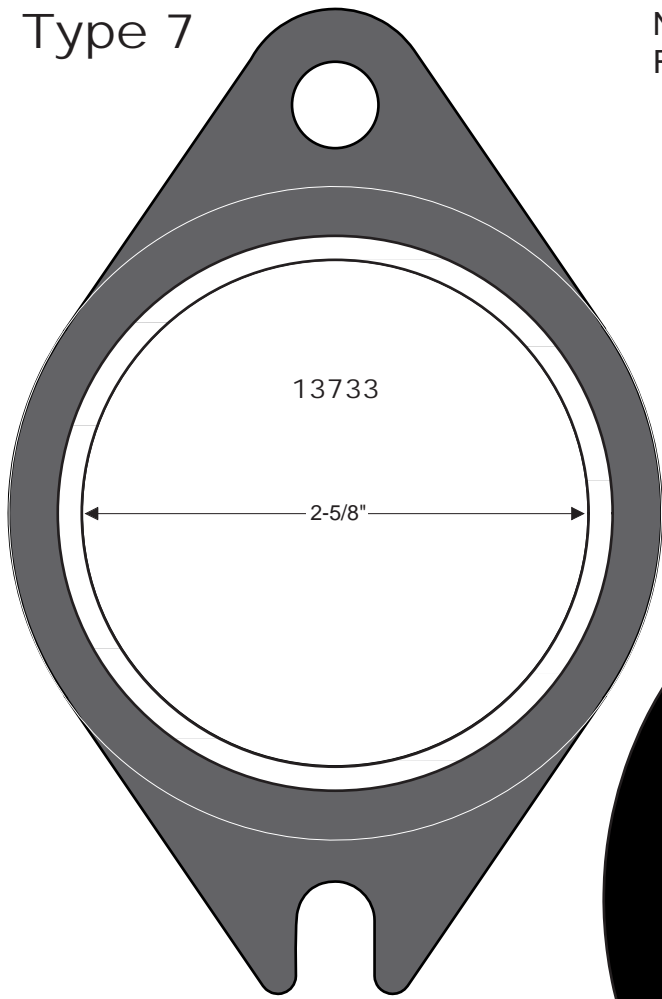
## Type 7

Nickson offers a complete line of exhaust gaskets. Refer to the application catalog for a detailed listing.



## Type 7

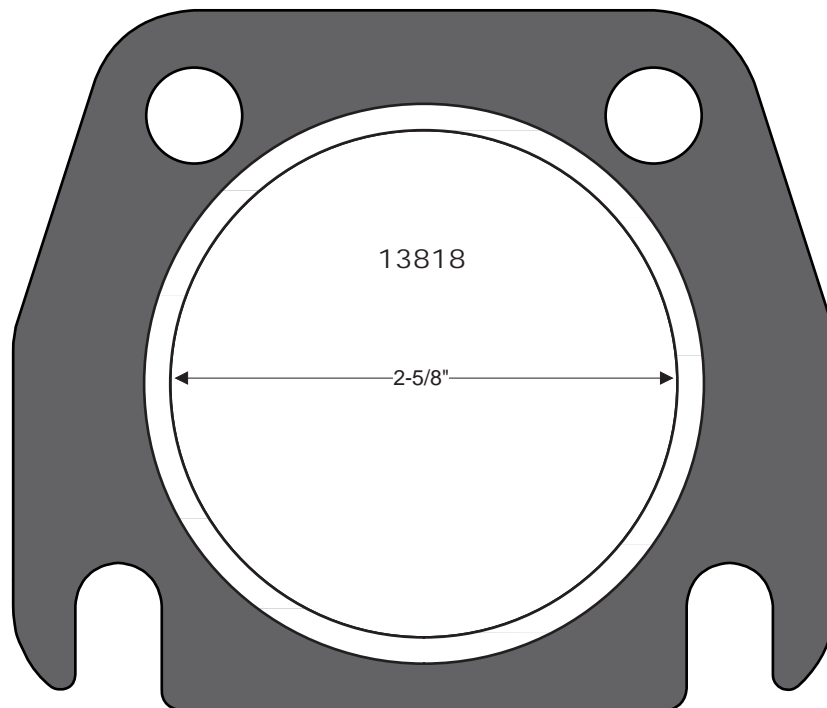
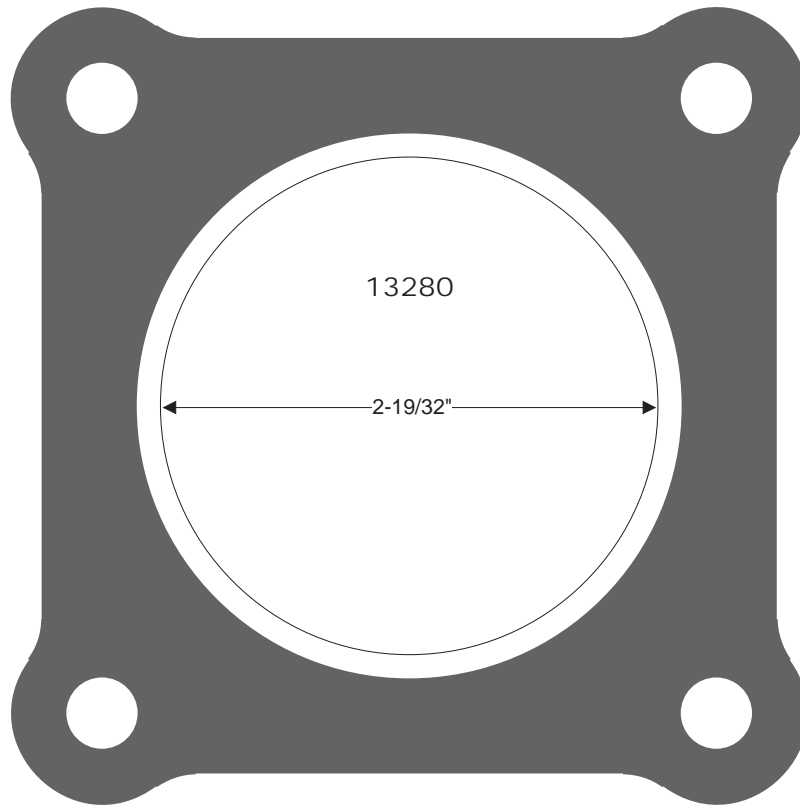
Nickson offers a complete line of exhaust gaskets. Refer to the application catalog for a detailed listing.





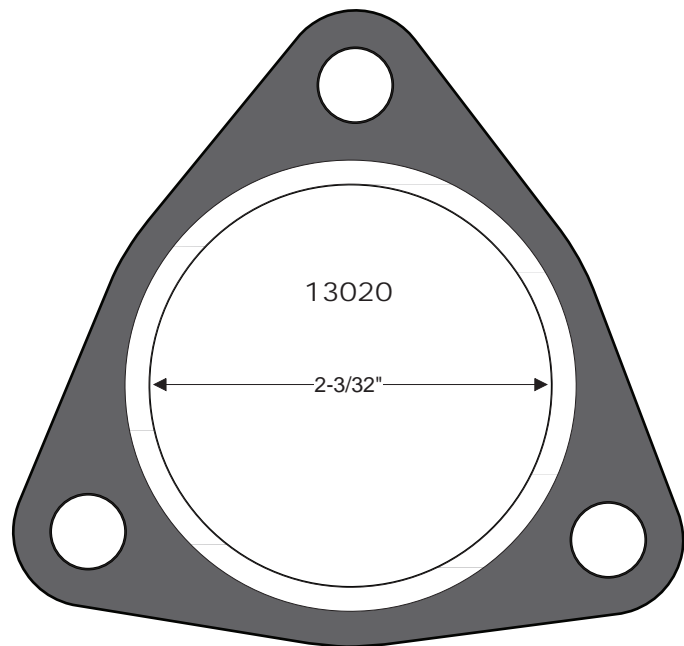
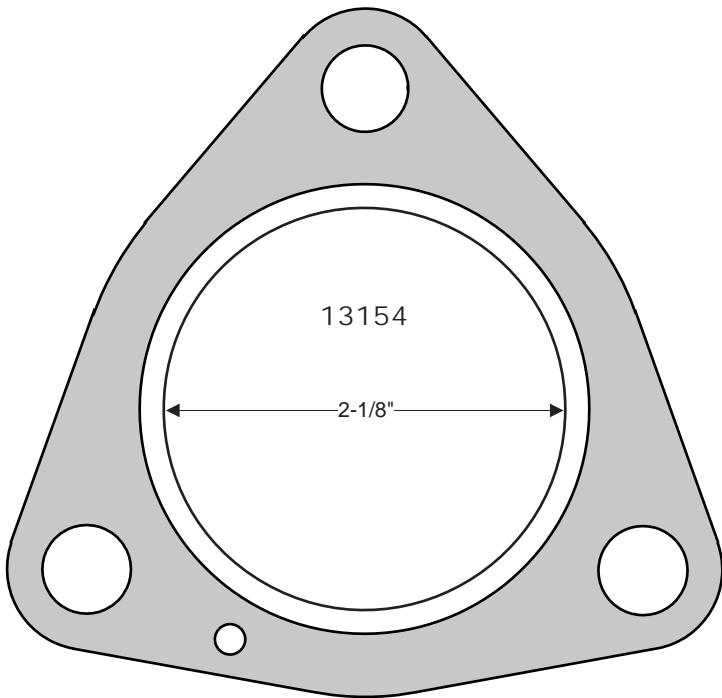
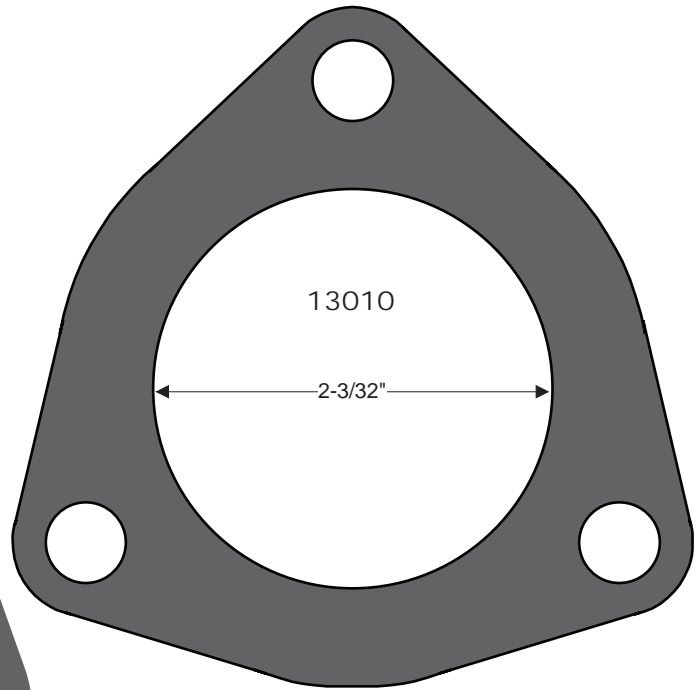
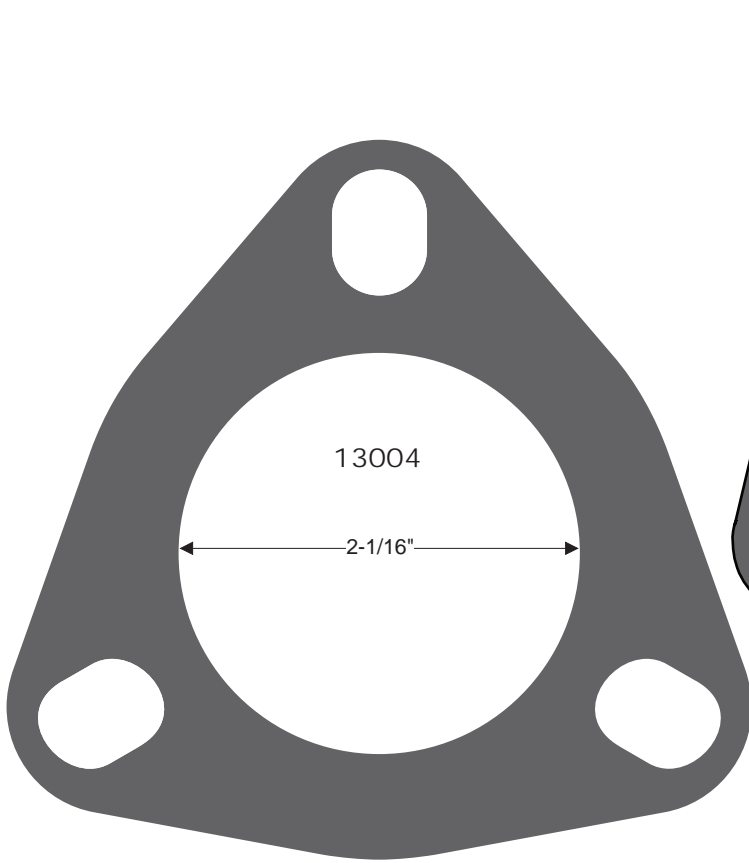
## Type 8

Nickson offers a complete line of exhaust gaskets. Refer to the application catalog for a detailed listing.



## Type 9

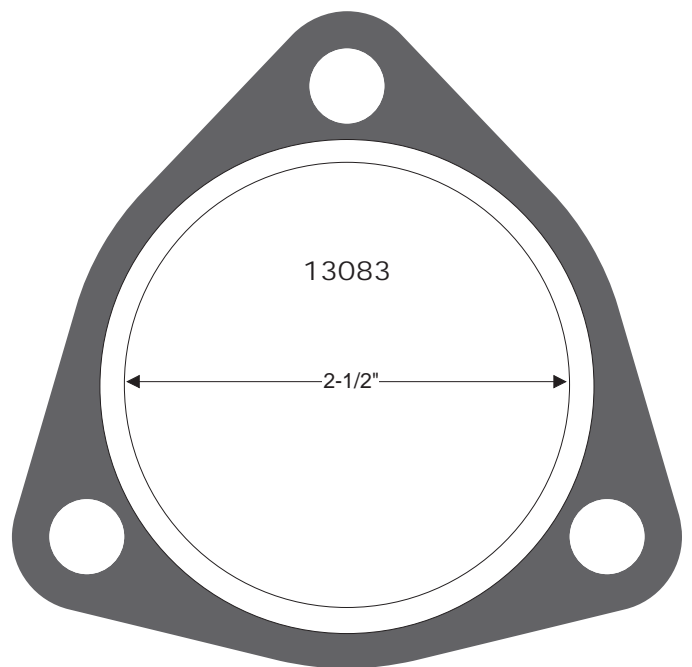
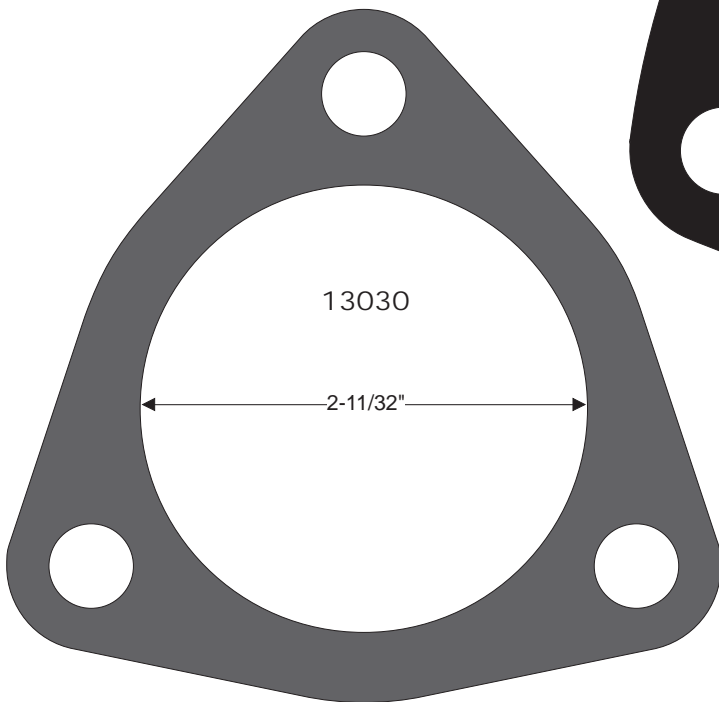
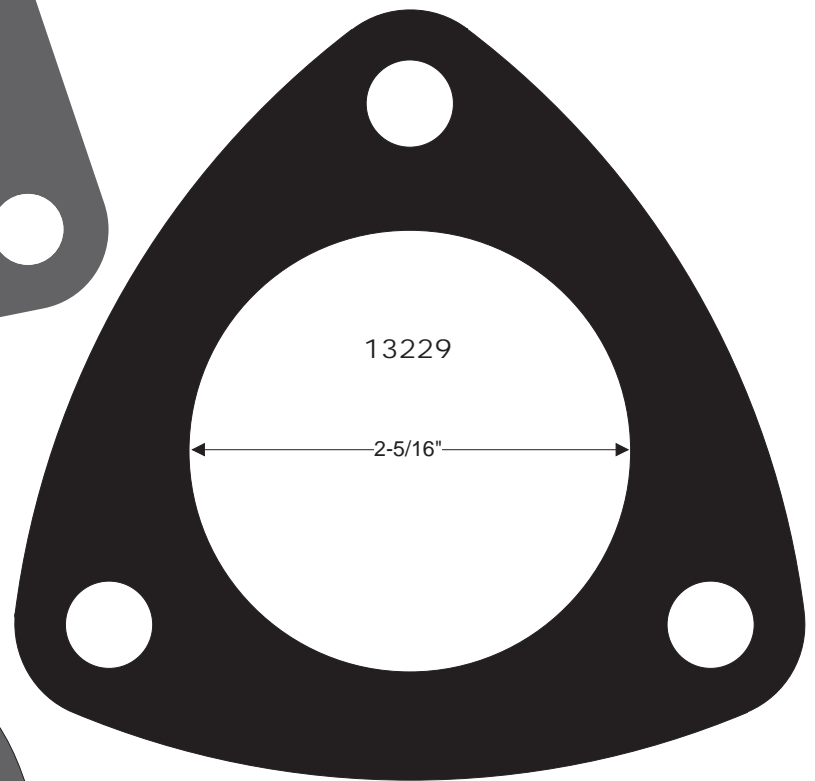
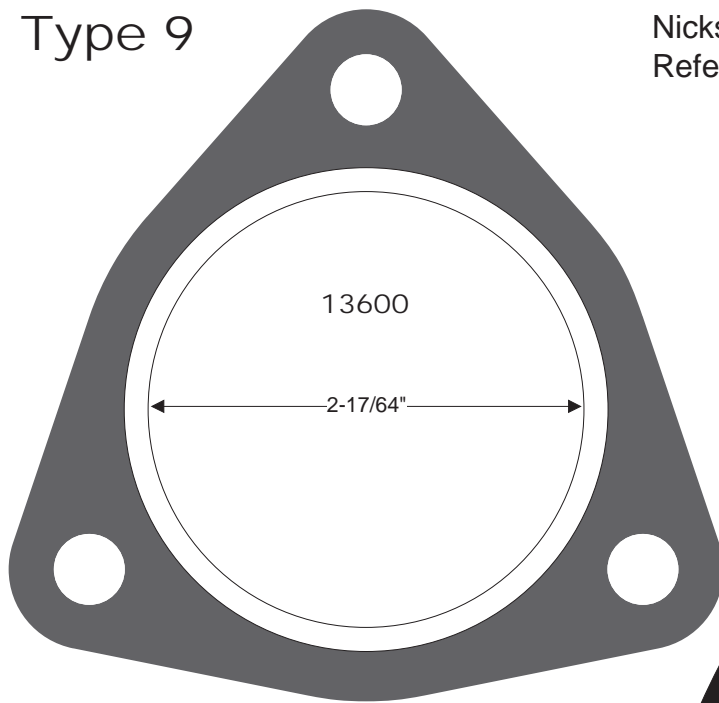
Nickson offers a complete line of exhaust gaskets. Refer to the application catalog for a detailed listing.



# Exhaust Gaskets "Top 100 Illustrations"

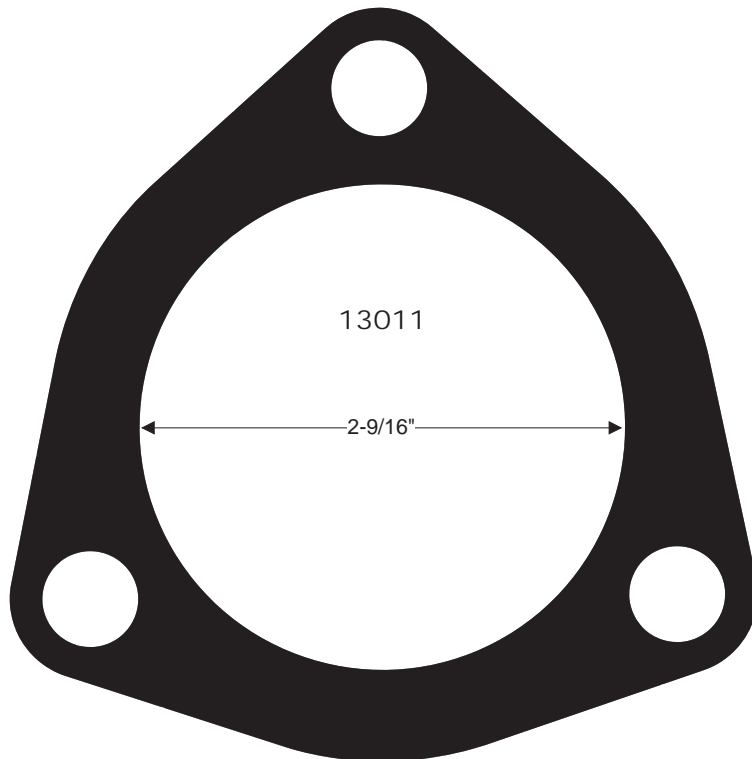
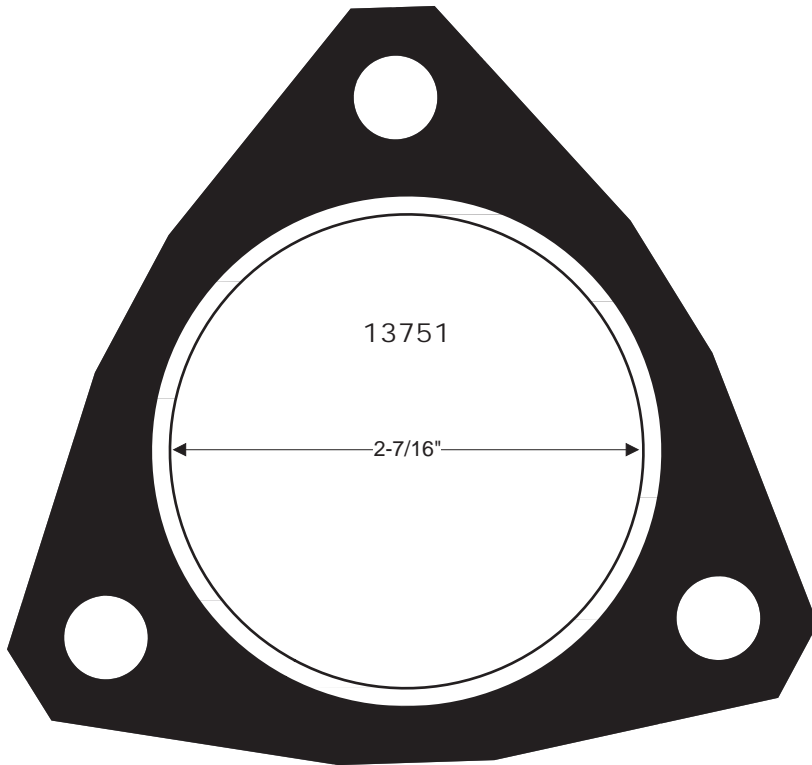
## Type 9

Nickson offers a complete line of exhaust gaskets. Refer to the application catalog for a detailed listing.



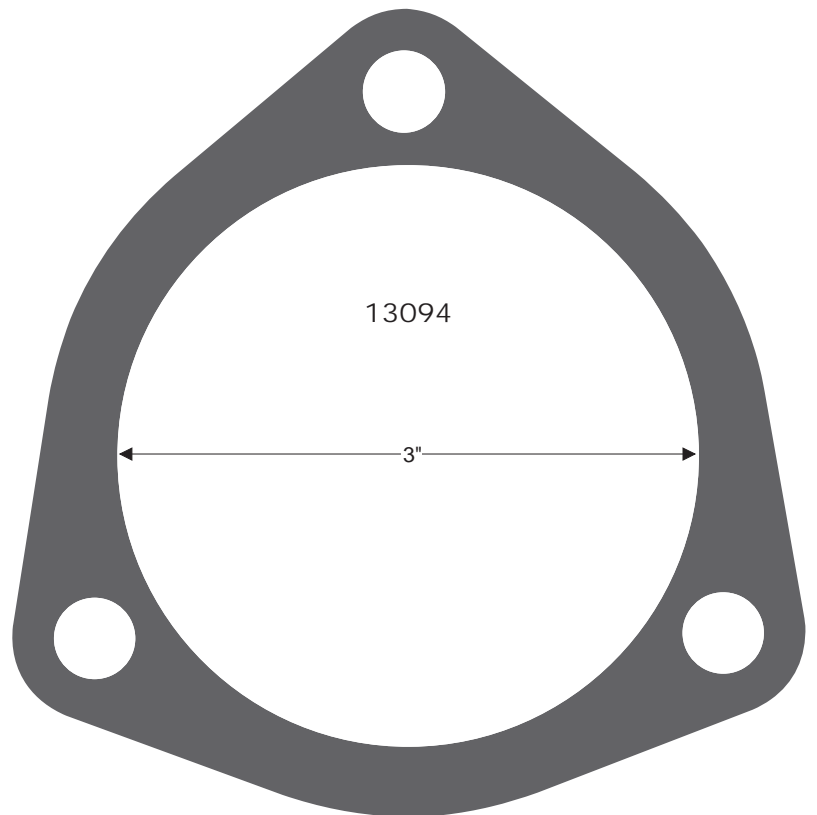
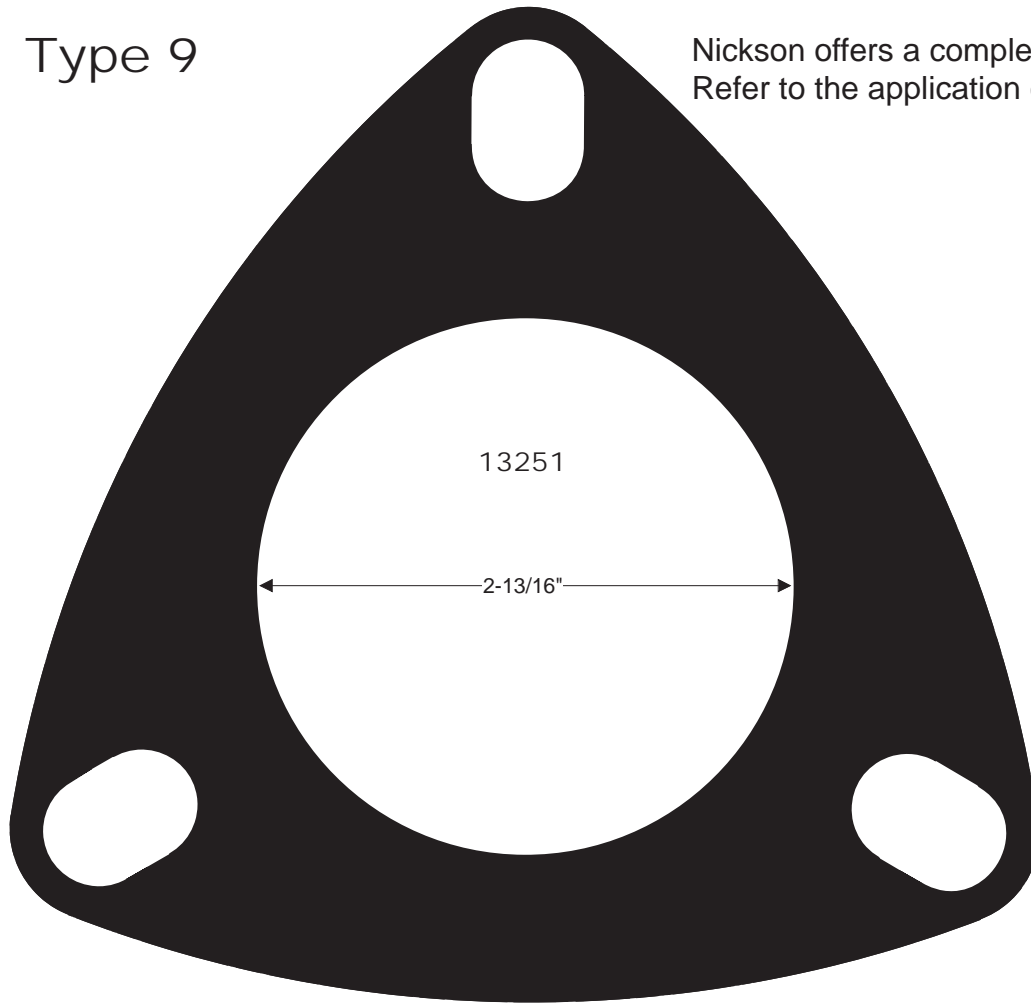
## Type 9

Nickson offers a complete line of exhaust gaskets.  
Refer to the application catalog for a detailed listing.



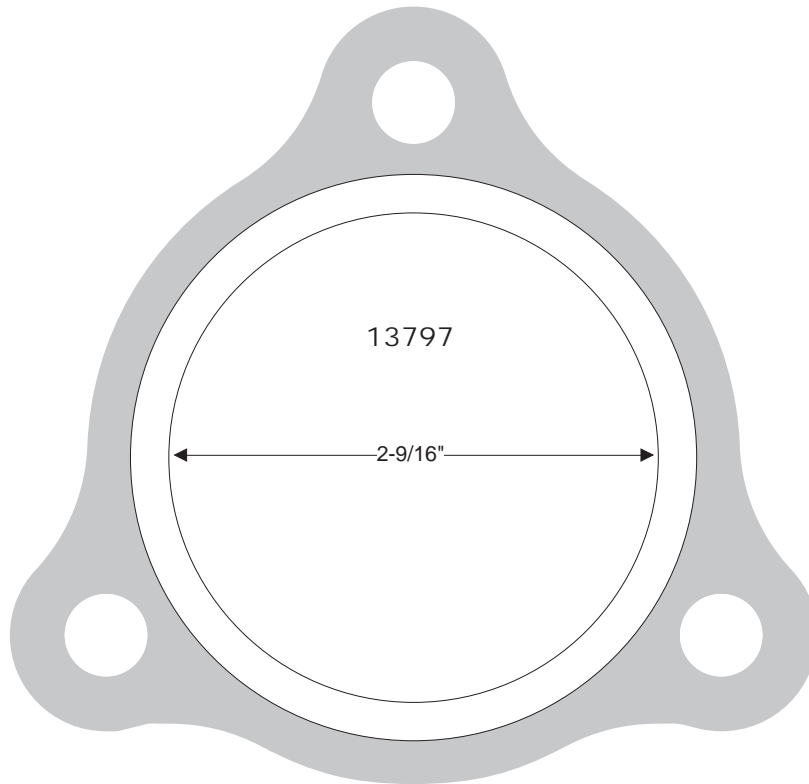
Type 9

Nickson offers a complete line of exhaust gaskets. Refer to the application catalog for a detailed listing.



## Type 10

Nickson offers a complete line of exhaust gaskets.  
Refer to the application catalog for a detailed listing.

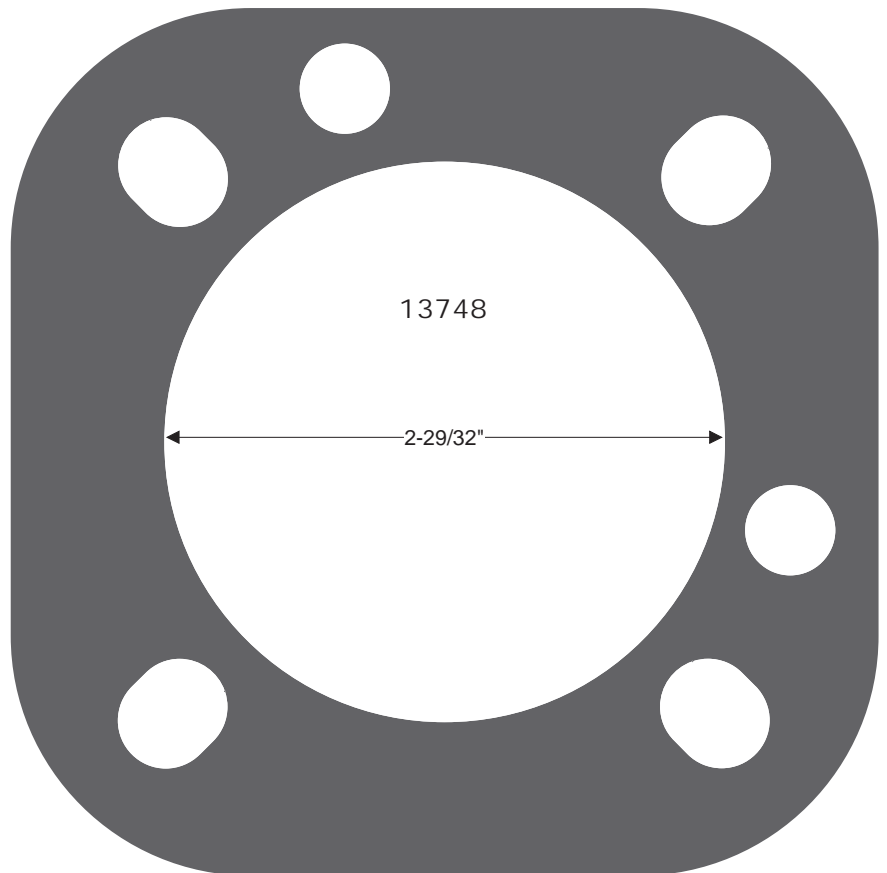
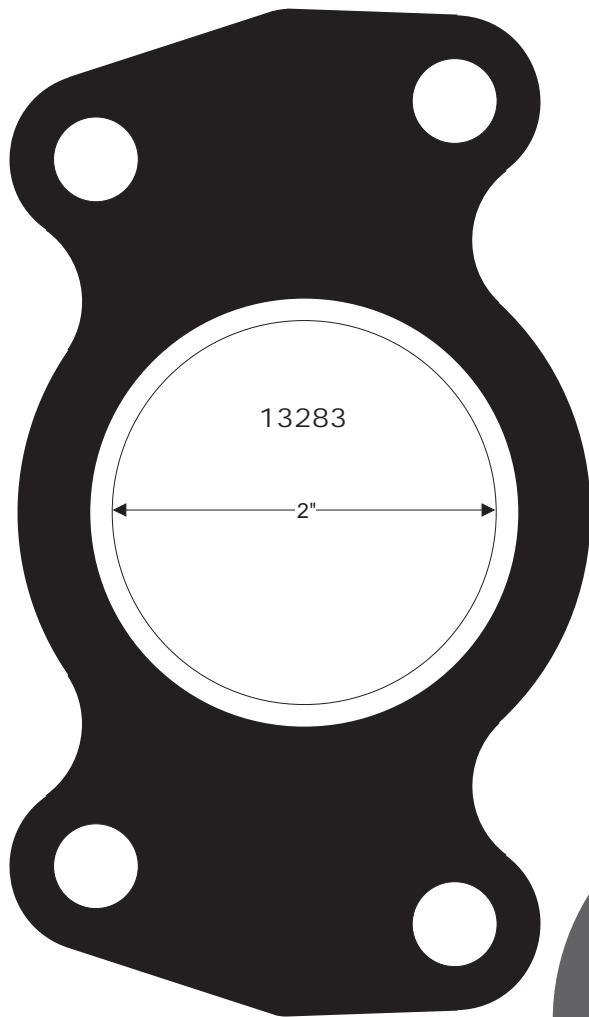




# Exhaust Gaskets "Top 100 Illustrations"

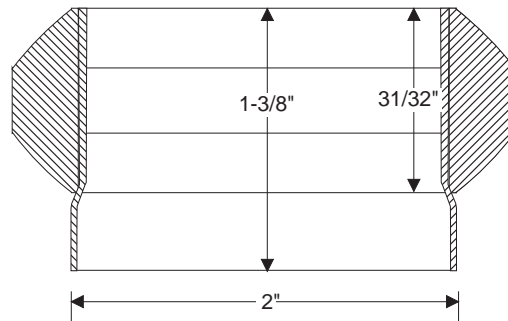
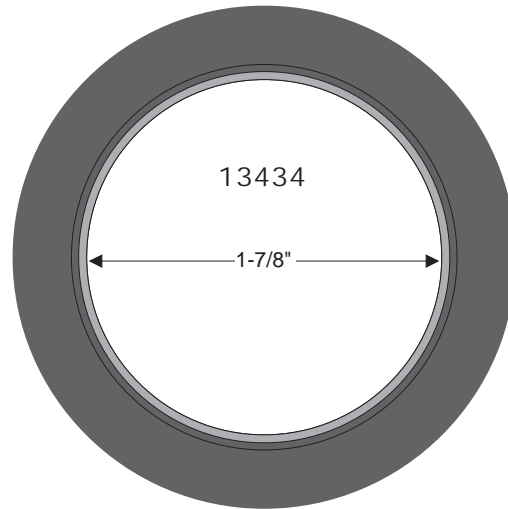
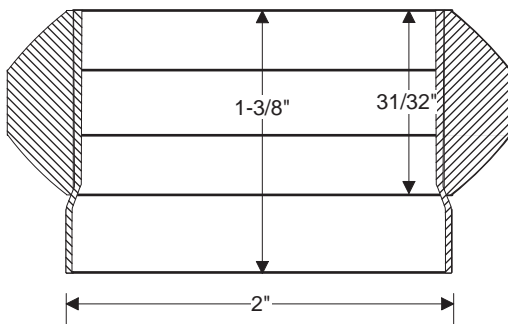
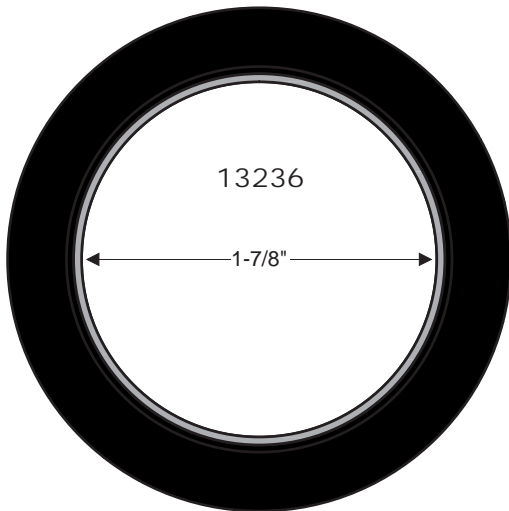
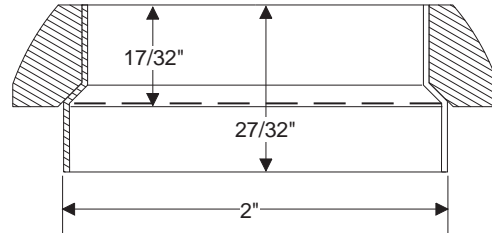
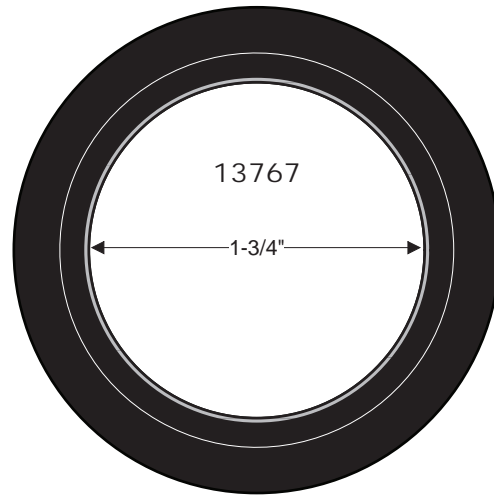
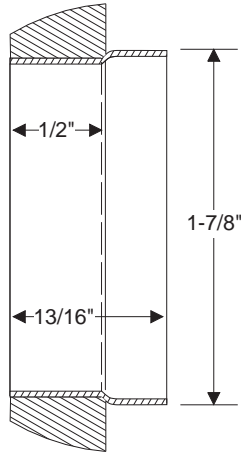
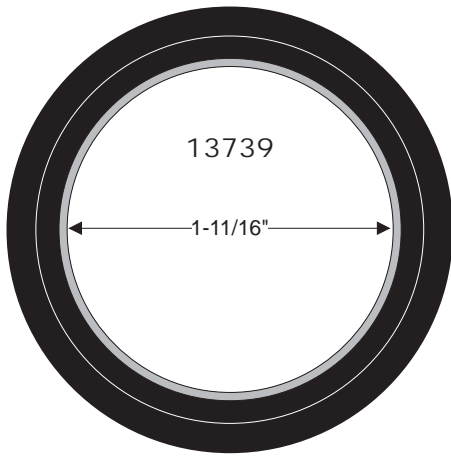
## Type 15

Nickson offers a complete line of exhaust gaskets. Refer to the application catalog for a detailed listing.



## Type 16

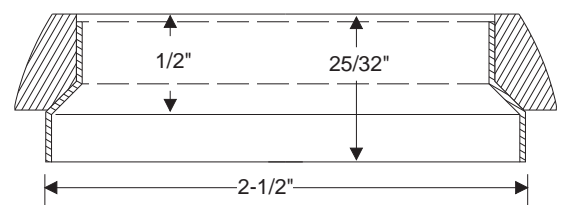
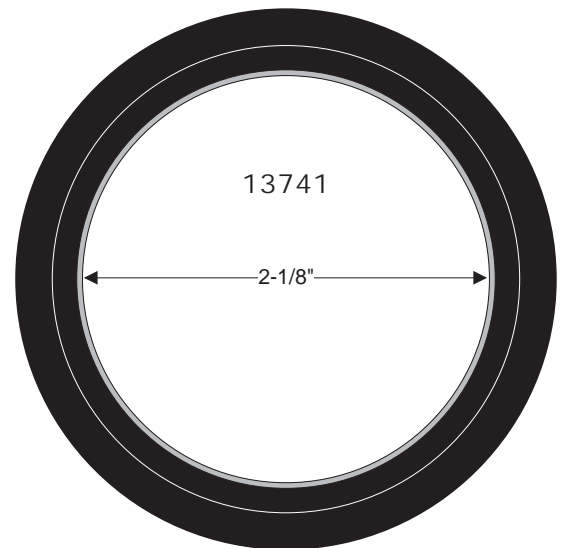
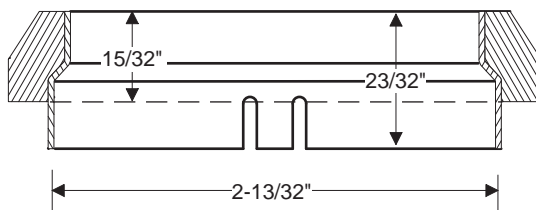
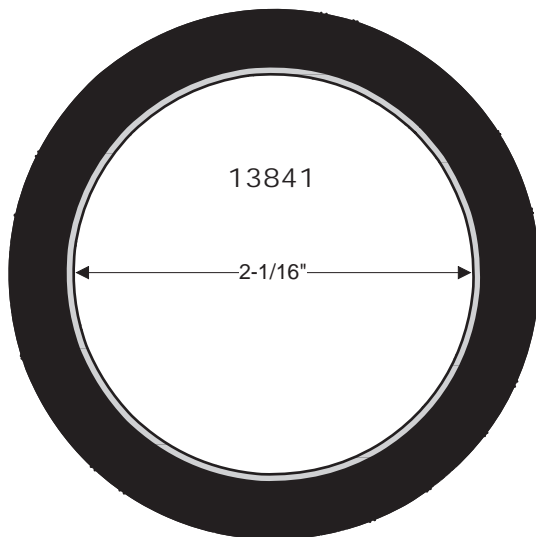
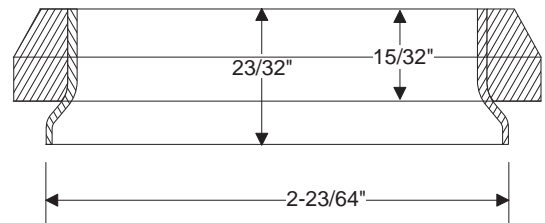
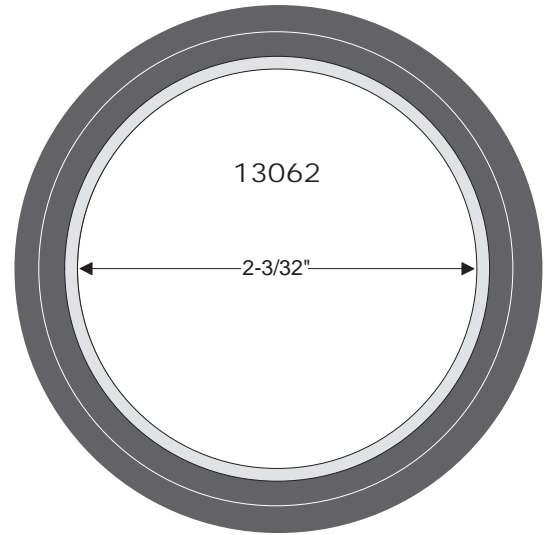
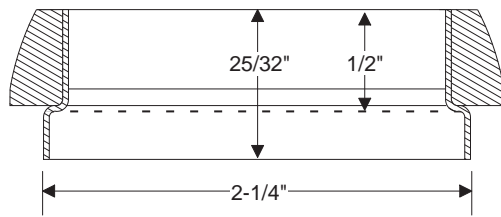
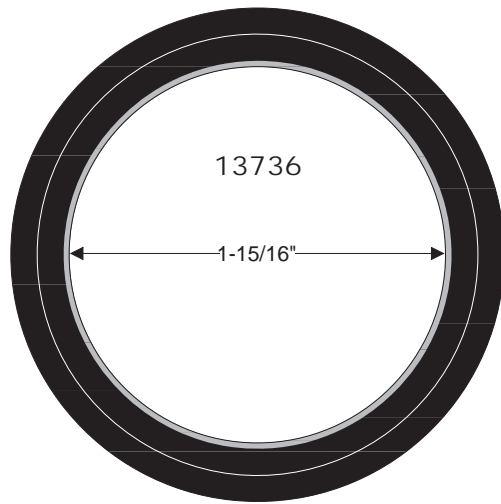
Nickson offers a complete line of exhaust gaskets. Refer to the application catalog for a detailed listing.



# Exhaust Gaskets "Top 100 Illustrations"

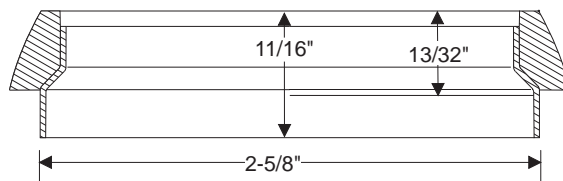
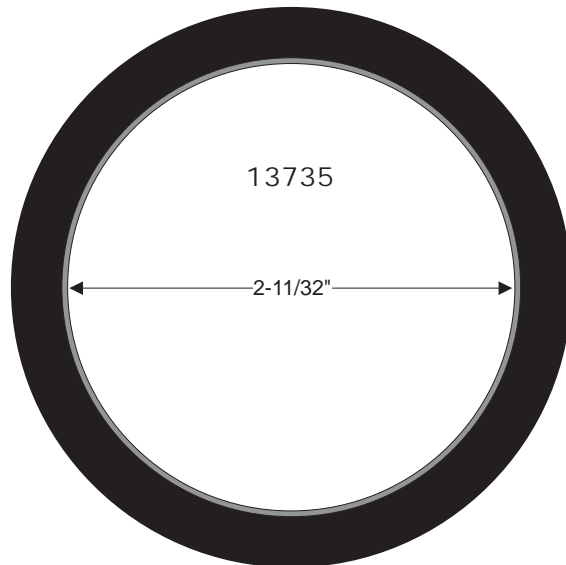
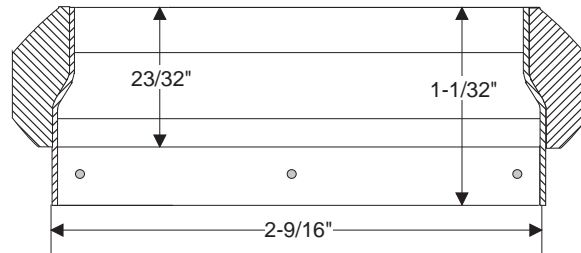
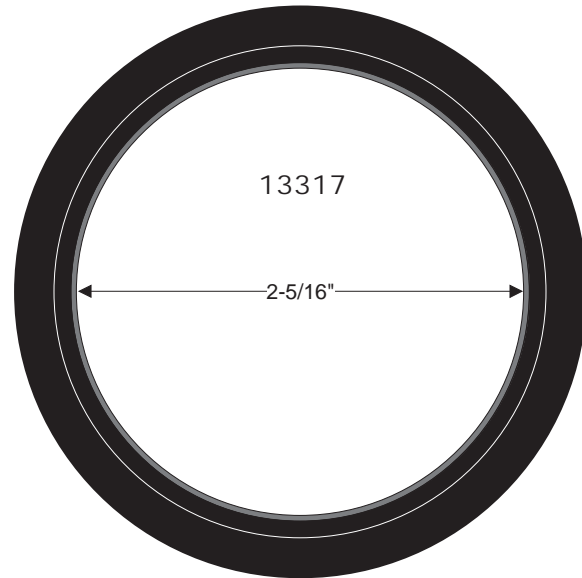
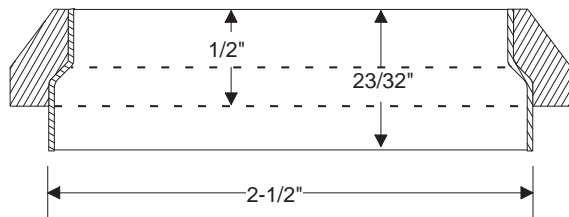
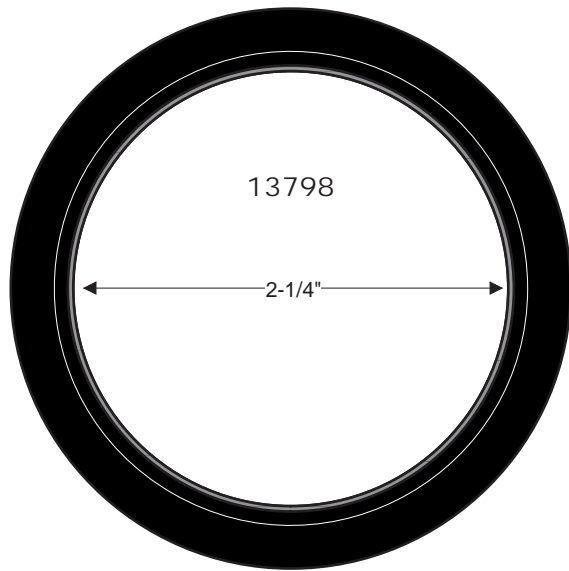
## Type 16

Nickson offers a complete line of exhaust gaskets. Refer to the application catalog for a detailed listing.



## Type 16

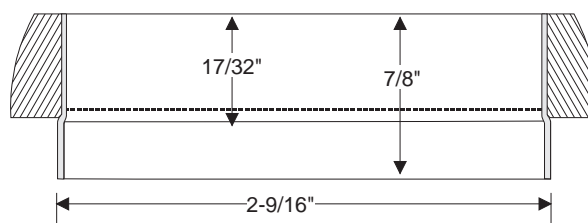
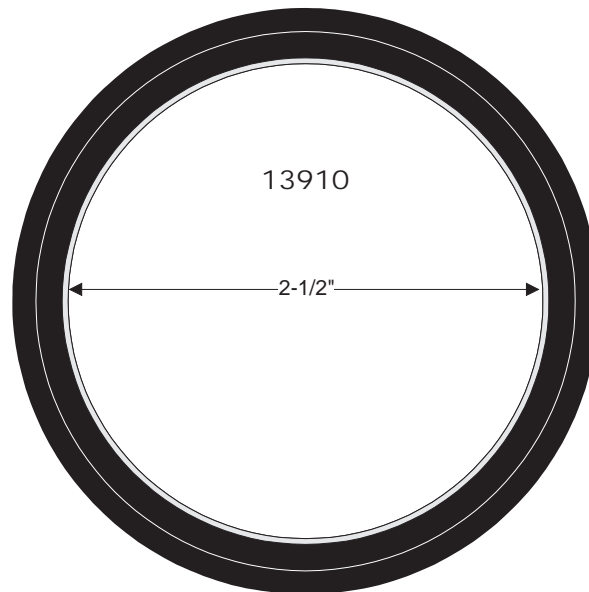
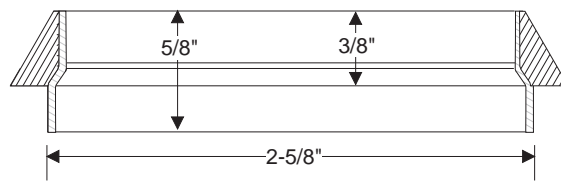
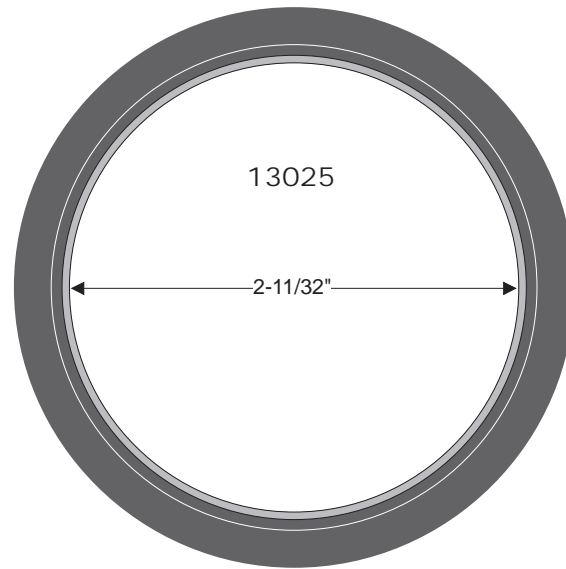
Nickson offers a complete line of exhaust gaskets. Refer to the application catalog for a detailed listing.



# Exhaust Gaskets "Top 100 Illustrations"

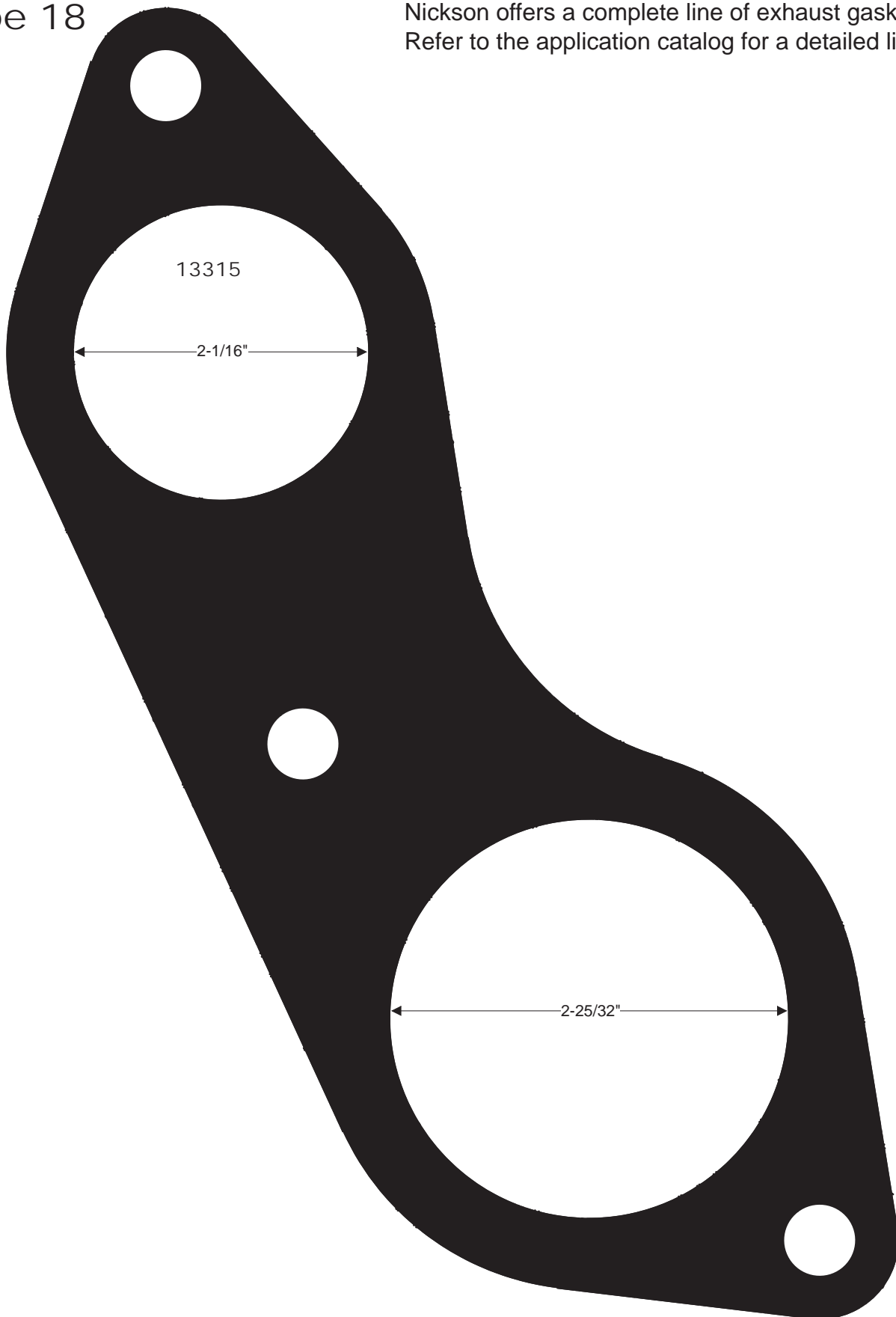
## Type 16

Nickson offers a complete line of exhaust gaskets. Refer to the application catalog for a detailed listing.



## Type 18

Nickson offers a complete line of exhaust gaskets.  
Refer to the application catalog for a detailed listing.

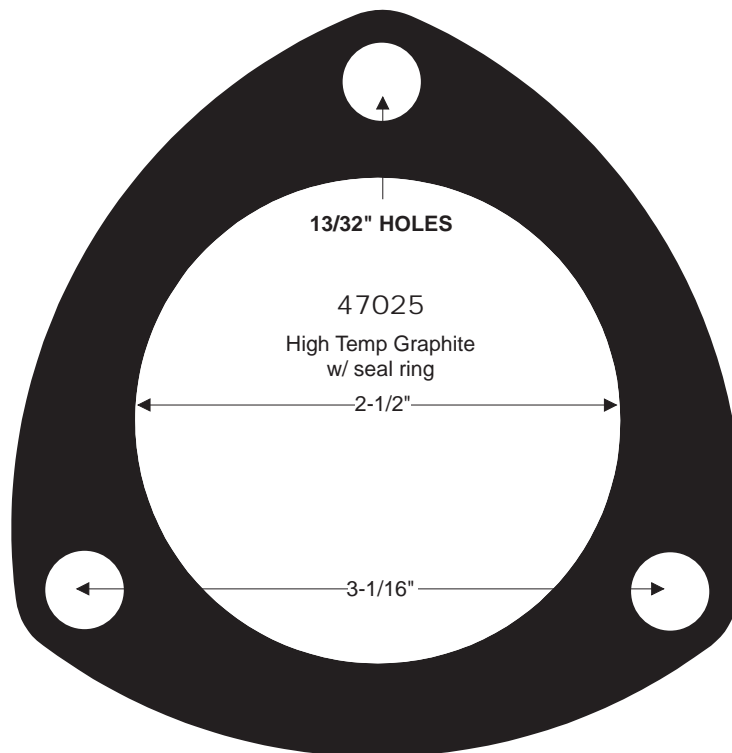
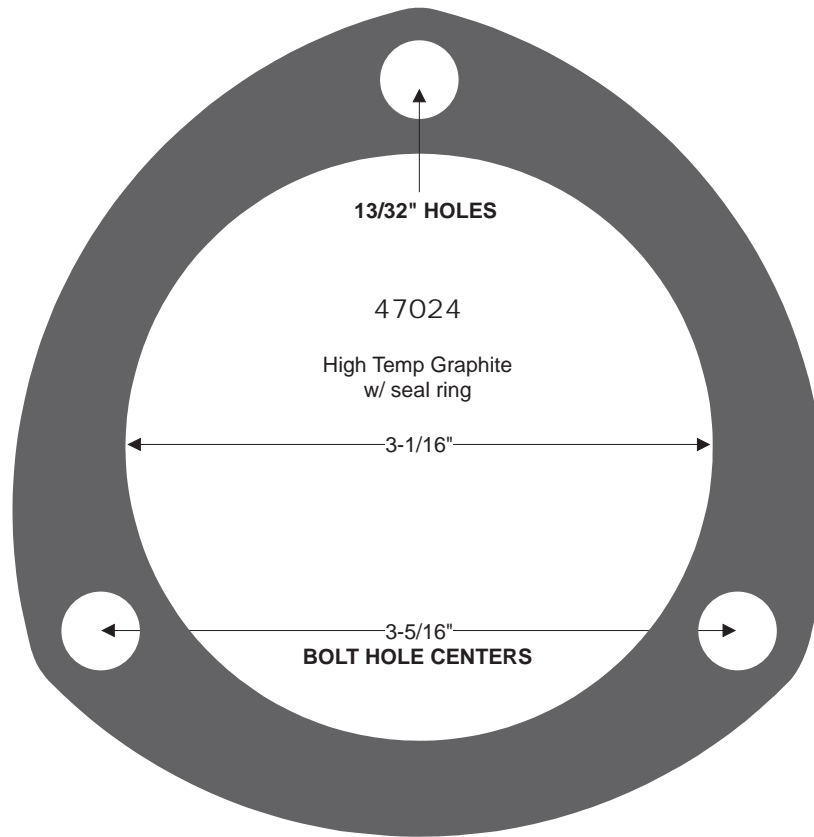




# Exhaust Gaskets "Top 100 Illustrations"

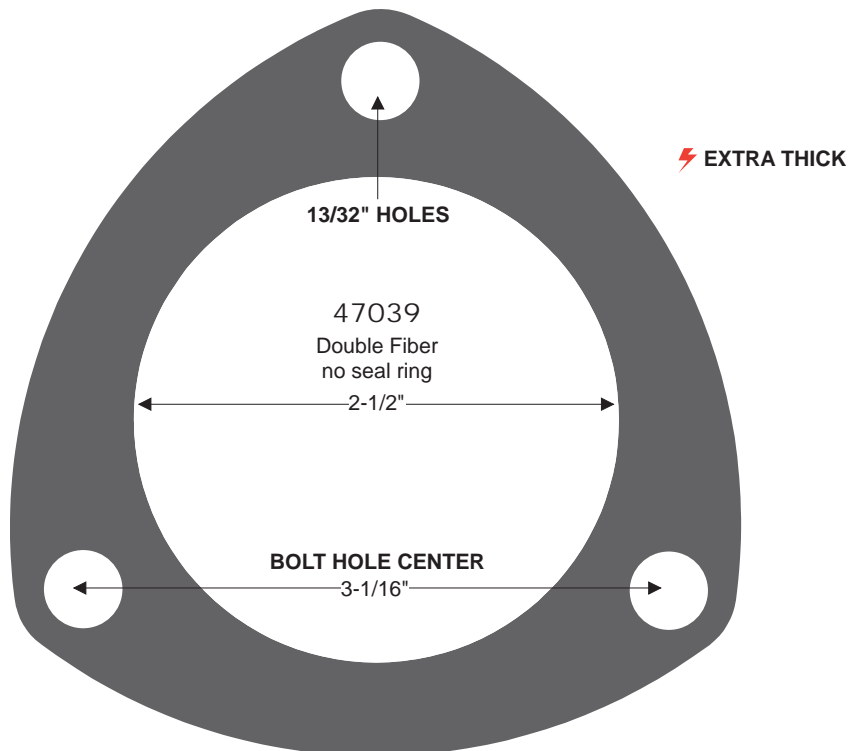
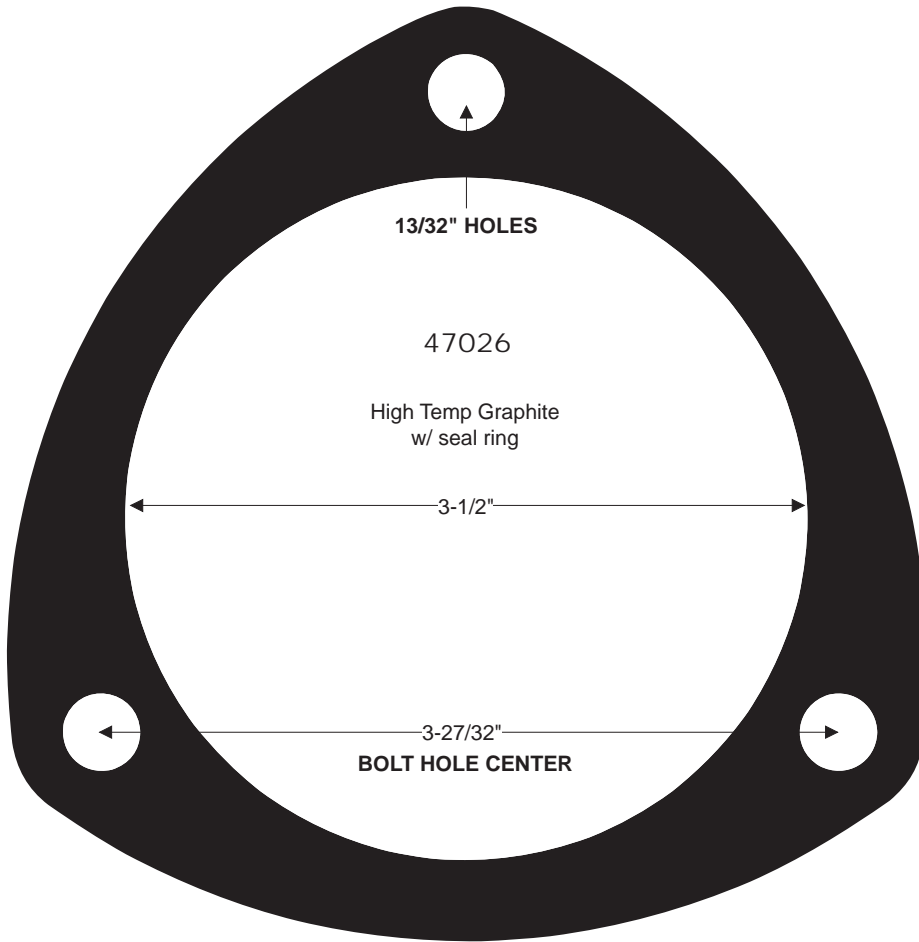
## Collector

Nickson offers a complete line of exhaust gaskets. Refer to the application catalog for a detailed listing.



## Collector

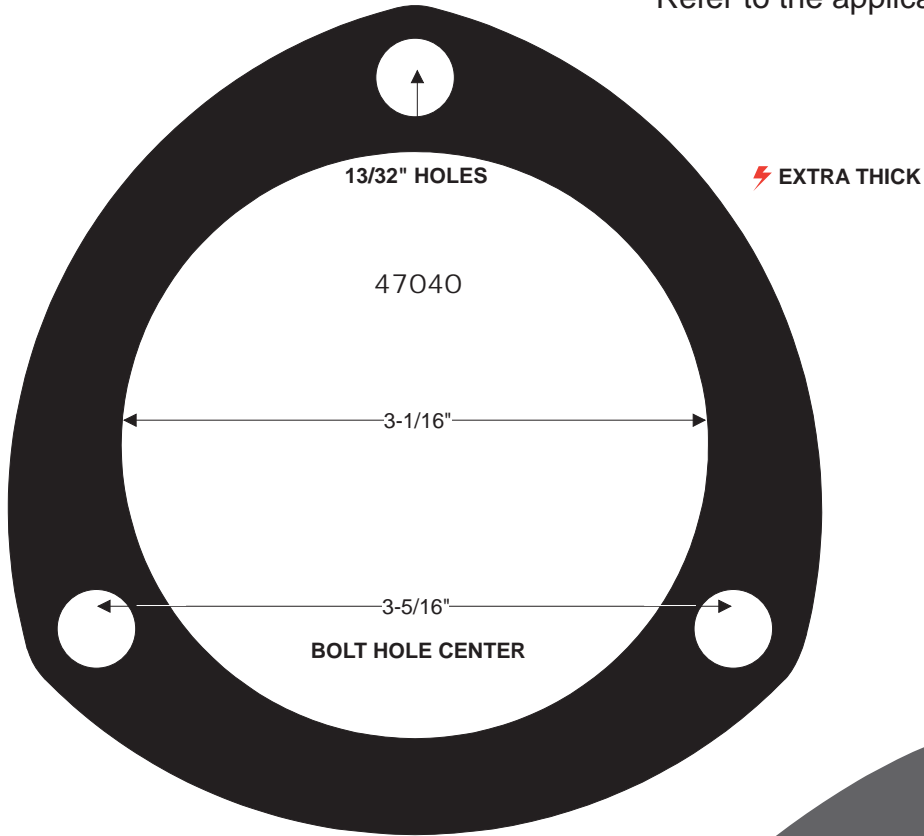
Nickson offers a complete line of exhaust gaskets.  
Refer to the application catalog for a detailed listing.



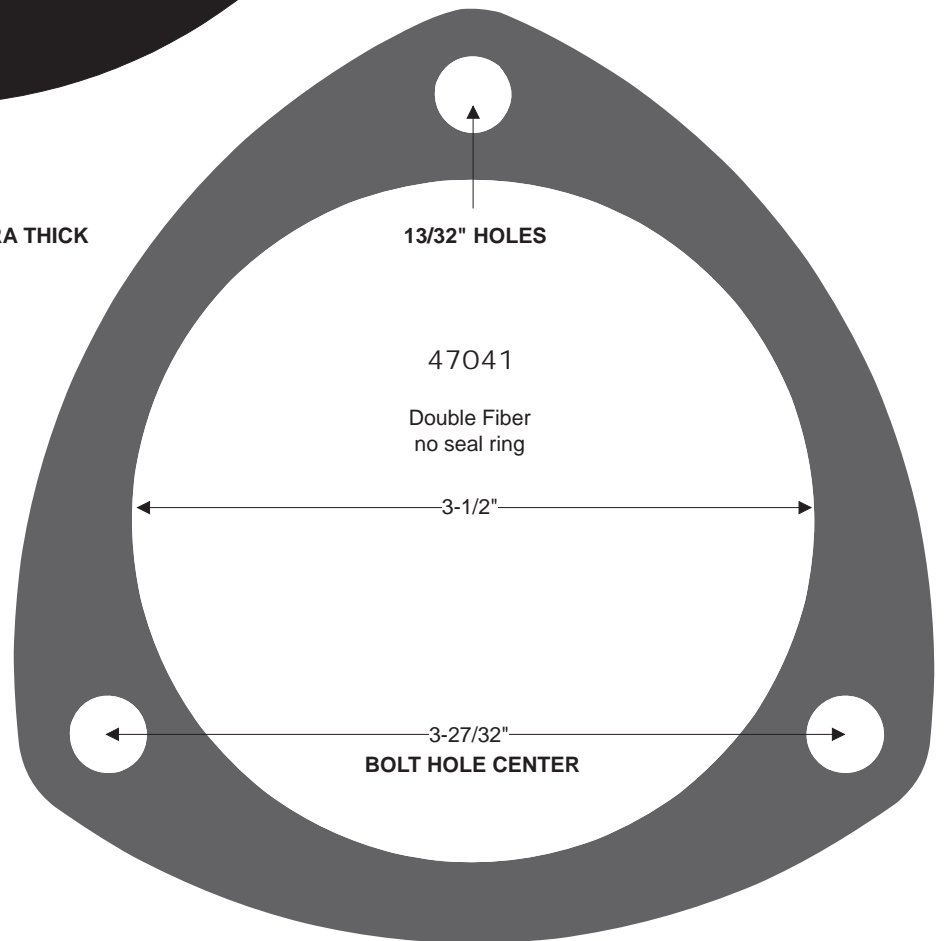
# Exhaust Gaskets "Top 100 Illustrations"

## Collector

Nickson offers a complete line of exhaust gaskets. Refer to the application catalog for a detailed listing.



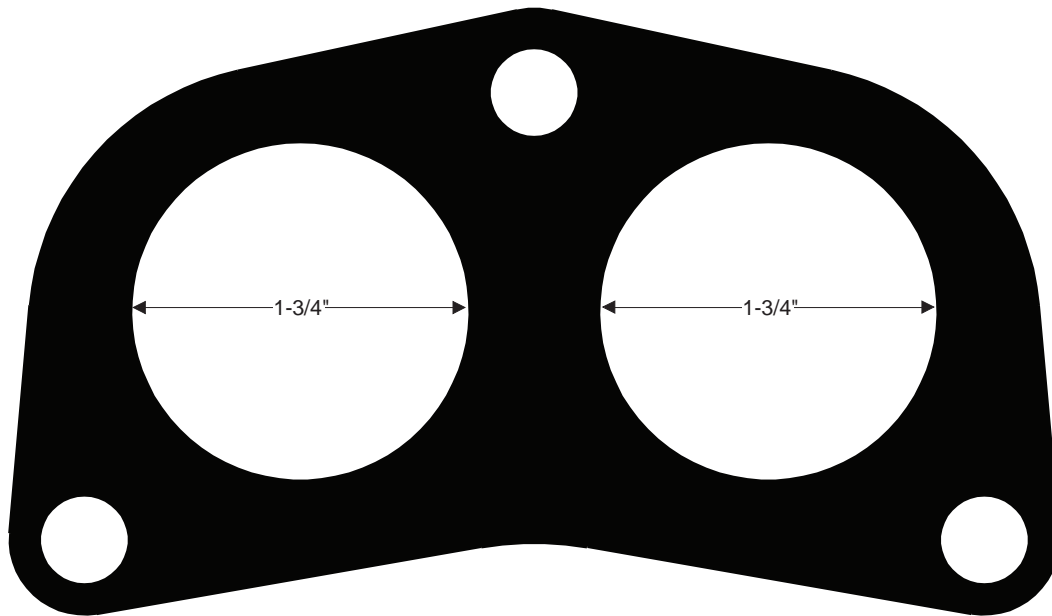
EXTRA THICK



## Collector

Nickson offers a complete line of exhaust gaskets.  
Refer to the application catalog for a detailed listing.

47029



# Exhaust Gasket Interchange

ni #	ROL Number	Marwil Number	AP/Goerlich's Number	Walker Number	Fel-Pro Number	Notes
13001	EG24001	G1B	N/A	N/A	N/A	
13002	EG24002	G2B	N/A	N/A	N/A	
13003	EG24003	G3B	N/A	N/A	N/A	
13004	EG24004	G4B	N/A	N/A	N/A	
13010	EG24010	G10B	8710	N/A	9095	
13011	EG24011	G11B	8711	31348	9097	
13014	EG24014	G14B	N/A	31547	60133	
13015	EG24015	G15B	8715	31401	8592	
13016	EG24016	G16B	N/A	31303	8985	
13017	EG24017	G17B	8717	31400	8194	
13020	EG24020	G20B	8720	N/A	60083	
13021	EG24021	G21B	N/A	31313	60146	
13022	EG24022	G22B	8722	N/A	9045	
13023	EG24023	G23B	9238	31307	60817	
13025	EG24025	G25B	9051	31413	60240	
13026	EG24026	G26B	8726	31301	60052	
13027	EG24027	G27B	N/A	31507	60103	
13028	EG24028	G28B	8751	31309	9712	
13030	EG24030	G30B	8730	31305	60278	
13036	EG24036	G36B	N/A	31402	9595	
13039	EG24039	G39B	N/A	31662	N/A	
13044	EG24044	G44B	8742	31311	60025	
13045	EG24045	G45B	8714	N/A	9558	
13051	EG24051	G51B	8735S	N/A	8105	
13054	EG24054	G54B	8729	N/A	9554	
13055	EG24055	G55B	N/A	31403	9802	
13057	EG24057	G57B	8738	31500	9587	
13059	EG24059	G59B	8769	31404	60299	
13062	EG24062	G62B	9052	31502	60241	
13070	EG24070	G70B	8773	31405	9998	
13073	EG24073	G73B	N/A	N/A	60013	
13076	EG24076	G76B	8765	31504	60195	
13081	EG24081	G81B	8768	31310	9827	
13083	EG24083	G83B	N/A	31312	N/A	
13086	EG24086	G86B	9055	31664	60198	
13087	EG24087	G87B	8744	31503	60155	
13088	EG24088	G88B	N/A	31505	60218	
13089	EG24089	G89B	8767	31506	60201	
13092	EG24092	G92B	N/A	N/A	60117	
13094	EG24094	G822B	N/A	31529	N/A	
13095	EG24095	G95B	8771	31337	60129	
13096	EG24096	G96B	8772	N/A	60308	
13100	EG24100	G100B	9226	N/A	60292	
13101	EG24101	G101B	8740	31365	N/A	

# Exhaust Gasket Interchange

ni #	ROL Number	Marwil Number	AP/Goerlich's Number	Walker Number	Fel-Pro Number	Notes
13103	EG24103	G103B	8766	31505	N/A	
13104	EG24104	G104B	N/A	N/A	N/A	
13105	EG24105	G105B	8763	31418	N/A	
13106	EG24106	G106B	N/A	31351	60588	
13107	EG24107	G107B	N/A	N/A	N/A	
13108	EG24108	G108B	N/A	N/A	N/A	
13109	EG24109	G109B	9118	31508	60986	
13110	EG24110	G110B	9083	31416	60985	
13111	EG24111	G111B	N/A	31370	60987	
13112	EG24112	G112B	N/A	N/A	N/A	
13113	EG24113	G113B	N/A	N/A	N/A	
13114	EG24114	G114B	9056	31417	60203	
13120	EG24120	G120B	N/A	31359	60462	
13121	EG24121	G121B	N/A	N/A	N/A	
13127	N/A	N/A	N/A	31718	9134	
13150	EG24150	G150B	N/A	N/A	N/A	
13152	EG24152	G152B	N/A	N/A	N/A	
13153	EG24153	G153B	N/A	31567	N/A	
13154	EG24154	G154B	N/A	31383	60672	
13155	EG24155	G155B	N/A	N/A	N/A	
13157	EG24157	G157B	N/A	N/A	N/A	
13158	EG24158	G158B	N/A	31568	60668	
13160	EG24160	G160B	N/A	31632	61194	
13161	EG24161	G161B	N/A	31598	N/A	
13162	EG24162	G162B	9018	31589	N/A	
13166	EG24166	G166B	9086	N/A	N/A	
13169	EG24169	G169B	N/A	N/A	N/A	
13172	EG24172	G172B	N/A	N/A	N/A	
13180	EG24180	G180B	N/A	31671	9242	
13181	EG24181	G181B	N/A	N/A	N/A	
13183	EG24183	G183B	N/A	N/A	61051	
13184	EG24184	EG24184	N/A	N/A	N/A	
13185	EG24185	G185B	9291	31564	N/A	
13186	EG24186	G186B	N/A	N/A	N/A	
13187	EG24187	G187B	N/A	N/A	N/A	
13190	EG24190	G190B	N/A	N/A	N/A	
13192	EG24192	G192B	N/A	N/A	61009	
13193	EG24193	G193B	N/A	N/A	60982	
13194	EG24194	G194B	N/A	31599	60988	
13195	EG24195	G195B	N/A	N/A	N/A	
13196	EG24196	G196B	N/A	N/A	N/A	
13198	EG24198	G198B	N/A	N/A	N/A	
13200	EG24200	G200B	N/A	N/A	60940	
13201	EG24201	G201B	N/A	N/A	N/A	



# Exhaust Gasket Interchange

ni #	ROL Number	Marwil Number	AP/Goerlich's Number	Walker Number	Fel-Pro Number	Notes
13204	EG24204	G204B	N/A	N/A	61236	
13206	EG24206	G206B	N/A	31569	N/A	
13207	EG24207	G207B	N/A	31622	N/A	
13212	EG24212	G212B	N/A	N/A	N/A	
13214	EG24214	G214B	9017	N/A	N/A	
13216	EG24216	G216B	9275	N/A	N/A	
13217	EG24217	G217B	9280	N/A	N/A	
13219	EG24219	G219B	N/A	N/A	N/A	
13220	EG24220	G220B	N/A	N/A	N/A	
13222	EG24222	N/A	N/A	N/A	N/A	
13229	EG24229	G229B	9283	N/A	N/A	
13231	EG24231	G231B	9214	N/A	61140	
13236	EG24236	G236B	9212	31588	61014	
13239	EG24239	G239B	8702	31633	61315	
13241	EG24241	G241B	N/A	N/A	60928	
13242	EG24242	G242B	N/A	N/A	N/A	
13243	EG24243	G243B	N/A	N/A	61410	
13245	EG24245	G245B	8712	31595	61044	
13247	EG24247	G247B	9039	31611	N/A	
13249	EG24249	G249B	N/A	N/A	N/A	
13250	EG24250	G250B	8759	31587	61311	
13251	EG24251	G251B	9287	31571	N/A	
13251	EG24251	G251B	9287	31571	N/A	
13252	EG24252	G252B	N/A	N/A	60831	
13253	G1012	G1012	4731	31618	N/A	
13253	EG24253	N/A	4731	31618	N/A	
13254	EG24254	G254B	9286	31573	N/A	
13255	EG24255	G255B	9282	31585	61039	
13256	EG24256	G256B	N/A	N/A	N/A	
13257	EG24257	G257B	N/A	N/A	N/A	
13258	EG24258	G258B	N/A	N/A	N/A	
13266	EG24266	N/A	N/A	31578	N/A	
13270	EG24270	N/A	9277	N/A	N/A	
13271	EG24271	G271B	8713	31617	61004	
13272	EG24272	G272B	9274	N/A	N/A	
13277	EG24277	G277B	9288	N/A	N/A	
13279	EG24279	G279B	N/A	N/A	N/A	
13280	EG24280	G280B	9289	31597	61002	
13281	EG24281	G281B	8721	31635	N/A	
13283	EG24283	G283B	9054	31606	60666	
13284	EG24284	G284B	N/A	N/A	N/A	
13285	EG24285	G285B	N/A	N/A	61016	
13286	EG24286	G286B	N/A	31697	61099	
13289	EG24289	G289B	N/A	N/A	61188	



# Exhaust Gasket Interchange

ni #	ROL Number	Marwil Number	AP/Goerlich's Number	Walker Number	Fel-Pro Number	Notes
13290	EG24290	G290B	8723	N/A	N/A	
13293	EG24293	G293B	9013	31608	61072	
13294	EG24294	G294B	8415	N/A	61357	
13295	EG24295	G295B	9279	31534	61378	
13297	EG24297	G297B	N/A	31596	61045	
13299	EG24299	G299B	8414	31625	61241	
13303	EG24303	G303B	9278	N/A	61296	
13304	EG24304	G304B	8725	N/A	N/A	
13305	EG24305	G305B	N/A	N/A	N/A	
13308	EG24308	G308B	8728	31620	N/A	
13315	EG24315	G315B	9285	31575	N/A	
13316	EG24316	G316B	9284	31574	61287	
13317	EG24317	G317B	N/A	31668	61012	
13320	EG24320	G320B	N/A	31336	N/A	
13323	EG24323	G323B	N/A	N/A	N/A	
13325	EG24325	G325B	9119	31591	N/A	
13327	EG24327	G327B	N/A	N/A	N/A	
13328	EG24328	G328B	N/A	N/A	60729	
13329	EG24329	G329B	N/A	31610	61074	
13330	EG24330	G330B	N/A	N/A	61089	
13332	EG24332	G332B	8762	31602	61054	
13333	EG24333	G333B	N/A	31609	N/A	
13334	EG24334	G334B	9088	31605	61310	
13335	EG24335	G335B	N/A	31607	61077	
13336	EG24336	G336B	8412	N/A	61062	
13337	EG24337	G337B	9215	N/A	61124	
13338	EG24338	G338B	9207	31629	N/A	
13342	EG24342	G342B	8682	31601	N/A	
13343	EG24343	G343B	N/A	N/A	61192	
13344	EG24344	G344B	N/A	N/A	61314	
13345	EG24345	G345B	N/A	31684	61307	
13346	EG24346	G346B	N/A	31623	61203	
13347	EG24347	G347B	N/A	31653	61283	
13348	EG24348	G348B	N/A	N/A	60720	
13353	EG24353	G353B	N/A	N/A	N/A	
13357	EG24357	G357B	N/A	N/A	61229	
13358	EG24358	G358B	N/A	31657	61255	
13359	EG24359	G359B	9019	N/A	N/A	
13364	EG24364	G364B	9271	31637	N/A	
13365	EG24365	G365B	N/A	N/A	61187	
13366	EG24366	G366B	N/A	N/A	61308	
13367	EG24367	G367B	8403	31643	61362	
13371	EG24371	G371B	N/A	31712	61129	
13377	EG24377	G377B	N/A	N/A	61394	

# Exhaust Gasket Interchange

ni #	ROL Number	Marwil Number	AP/Goerlich's Number	Walker Number	Fel-Pro Number	Notes
13392	EG24392	G392B	N/A	31695	61059	
13395	EG24395	G395B	9040	N/A	61171	
13398	EG24398	G398B	N/A	N/A	61240	
13399	EG24399	G399B	8406	N/A	N/A	
13403	EG24403	G403B	N/A	N/A	N/A	
13406	EG24406	G406B	N/A	N/A	N/A	
13409	EG24409	G409B	N/A	N/A	N/A	
13412	EG24412	G412B	N/A	N/A	61270	
13415	EG24415	G415B	N/A	N/A	61323	
13417	EG24417	G417B	9254	31642	N/A	
13422	EG24422	G422B	N/A	31698	61197	
13423	EG24423	G423B	N/A	31670	61206	
13424	EG24424	G424B	N/A	31659	61213	
13429	EG24429	G429B	N/A	N/A	61251	
13430	EG24430	G430B	N/A	N/A	61250	
13431	EG24431	G431B	N/A	N/A	N/A	
13433	EG24433	G433B	N/A	N/A	61303	
13434	EG24434	G434B	N/A	N/A	N/A	
13446	EG24446	G446B	9000	N/A	61400	
13450	EG24450	G450B	8409	31706	N/A	
13452	EG24452	G452B	9096	31704	61399	
13458	EG24458	G458B	N/A	31658	61367	
13459	EG24459	G459B	N/A	31694	61368	
13465	EG24465	G465B	N/A	N/A	61395	
13467	EG24467	G467B	N/A	31800	N/A	
13468	EG24468	G468B	N/A	31699	61369	
13469	EG24469	G469B	N/A	N/A	61348	
13471	EG24471	G471B	N/A	N/A	61387	
13475	EG24475	G475B	N/A	N/A	N/A	
13480	EG24480	G480B	N/A	N/A	N/A	
13488	EG24488	G488B	N/A	N/A	61406	
13506	EG24506	G506B	N/A	N/A	9672	
13509	EG24509	G509B	9027	31374	23626	
13509	EG24509	G509B	9027	31374	23626	
13514	EG24514	N/A	N/A	31674	23620	
13519	EG24519	G519B	N/A	N/A	23590	
13529	EG24529	G529B	N/A	N/A	23557	
13533	EG24533	G533B	N/A	N/A	N/A	
13535	EG24535	G535B	8758	31411	60230	
13536	EG24536	G536B	8750	31314	23563	
13548	EG24548	G548B	N/A	N/A	N/A	
13556	EG24556	G556B	N/A	N/A	N/A	
13557	EG24557	G557B	9028	31513	23547	
13560	EG24560	G560B	N/A	N/A	N/A	

# Exhaust Gasket Interchange

ni #	ROL Number	Marwil Number	AP/Goerlich's Number	Walker Number	Fel-Pro Number	Notes
13572	EG24572	G572B	8752	31318	23565	
13573	EG24573	G573B	N/A	31409	25560	
13574	EG24574	G574B	8749	31320	23561	
13576	EG24576	G576B	8754	31319	23577	
13578	EG24578	G578B	8770	31321	23588	
13579	EG24579	G579B	9032	31515	60285	
13583	EG24583	G583B	9034	31339	23596	
13584	EG24584	G584B	9024	31332	23591	
13585	EG24585	G585B	9066	31334	23610	
13589	EG24589	G589B	9045	31326	60567	
13593	EG24593	G593B	9030	31327	23599	
13594	EG24594	G594B	9044	31355	23624	
13597	EG24597	G597B	8741	N/A	23609	
13598	EG24598	G598B	9037	31349	23578	
13599	EG24599	G599B	N/A	31342	N/A	
13600	EG24600	G600B	9031	31390	N/A	
13601	EG24601	G601B	9041	31340	23589	
13602	EG24602	G602B	8739	N/A	N/A	
13603	EG24603	G603B	N/A	N/A	N/A	
13609	EG24609	G609B	N/A	N/A	N/A	
13612	EG24612	G612B	N/A	N/A	60495	
13613	EG24613	G613B	9026	31350	60915	
13615	EG24615	G615B	8731	N/A	N/A	
13616	EG24616	G616B	9025	31414	9269	
13620	EG24620	G620B	N/A	N/A	61049	
13624	EG24624	G624B	9021	N/A	N/A	
13626	EG24626	G626B	9047	31333	60286	
13627	EG24627	G627B	N/A	N/A	N/A	
13630	EG24630	G630B	9046	31352	23598	
13633	EG24633	G633B	N/A	31541	60570	
13635	EG24635	G635B	9081	31367	N/A	
13636	EG24636	G636B	N/A	31335	N/A	
13639	EG24639	G639B	N/A	31680	60521	
13644	EG24644	G644B	N/A	N/A	60385	
13646	EG24646	G646B	9036	31415	23607	
13647	EG24647	G647B	N/A	31396	60569	
13648	EG24648	G648B	9252	31397	60835	
13649	EG24649	G649B	9059	31518/31616	60473	
13654	EG24654	G654B	N/A	31516	60565	
13656	EG24656	G656B	9078	31665	60522	
13658	EG24658	G658B	9075	N/A	60404	
13659	EG24659	G659B	9080	31354	60517	
13661	EG24661	G661B	9058	31519	60856	
13668	EG24668	G668B	9237	31565	60494	

# Exhaust Gasket Interchange

ni #	ROL Number	Marwil Number	AP/Goerlich's Number	Walker Number	Fel-Pro Number	Notes
13674	EG24674	G674B	9092	N/A	60360	
13675	EG24675	G675B	9221	31391	60836	
13684	EG24684	G684B	8697	31388	60620	
13685	EG24685	G685B	N/A	N/A	60496	
13686	EG24686	N/A	N/A	31525	60480	
13687	EG24687	G687B	8686	N/A	60479	
13691	EG24691	G691B	N/A	N/A	60575	
13693	EG24693	G693B	8696	31517	60531	
13694	EG24694	G694B	9072	N/A	60933	
13695	EG24695	G695B	N/A	31666	60534	
13696	EG24696	G696B	8695	N/A	60571	
13697	EG24697	G697B	N/A	N/A	60626	
13699	EG24699	G699B	N/A	31514	N/A	
13700	EG24700	G700B	8690	N/A	60662	
13702	EG24702	G702B	8737	N/A	60389	
13705	EG24705	G705B	N/A	N/A	N/A	
13706	EG24706	G706B	N/A	N/A	N/A	
13707	EG24707	G707B	N/A	N/A	61505	
13709	EG24709	G709B	N/A	N/A	N/A	
13713	EG24713	G713B	9038	31330	N/A	
13718	EG24718	G718B	N/A	N/A	N/A	
13723	EG24723	G723B	8724	N/A	9547	
13727	EG24727	N/A	N/A	N/A	60518	
13729	EG24729	G729B	9262	31368	N/A	
13731	EG24731	G731B	9099	31540	60458	
13732	EG24732	G732B	N/A	31384	N/A	
13733	EG24733	G733B	9079	31512	60548	
13734	EG24734	G734B	N/A	31524	60524	
13735	EG24735	G735B	N/A	31511	60755	
13736	EG24736	G736B	9093	31523	60538	
13737	EG24737	G737B	8706	31358	60477	
13738	EG24738	G738B	9087	31357	60650	
13739	EG24739	G739B	9091	31381	60525	
13740	EG24740	G740B	N/A	N/A	60394	
13741	EG24741	G741B	9272	31382	60975	
13742	EG24742	G742B	9231	31362	60632	
13742	EG24742	G742B	9231	31362/31361	60632	
13743	EG24743	N/A	9090	31378	60583	
13746	EG24746	G746B	N/A	31356	N/A	
13748	EG24748	G748B	9069	31347	N/A	
13749	EG24749	G749B	9082	31364	60576	
13750	EG24750	G750B	9057	31584	N/A	
13751	EG24751	G751B	8691	31369	60717	
13753	EG24753	G753B	9225	31379	60658	



# Exhaust Gasket Interchange

ni #	ROL Number	Marwil Number	AP/Goerlich's Number	Walker Number	Fel-Pro Number	Notes
13754	EG24754	G754B	N/A	N/A	N/A	
13756	EG24756	G756B	9010	31582	N/A	
13757	EG24757	G757B	9273	N/A	60612	
13758	EG24758	G758B	8693	31377	60578	
13759	EG24759	G759B	9094	31522	60592	
13760	EG24760	G760B	N/A	N/A	N/A	
13763	EG24763	G763B	N/A	31366	N/A	
13764	EG24764	G764B	N/A	31683	60644	
13765	EG24765	G765B	N/A	N/A	N/A	
13767	EG24767	G767B	9220	31520	60556	
13768	EG24768	G768B	9070	31412	N/A	
13769	EG24769	G769B	N/A	31322	N/A	
13770	EG24770	G770B	N/A	N/A	N/A	
13772	EG24772	G772B	9222	31373	60601	
13778	EG24778	G778B	N/A	N/A	60640	
13779	EG24779	G779B	9229	31376	60614	
13780	EG24780	G780B	9224	31548	N/A	
13781	EG24781	G781B	9228	31375	60637	
13783	EG24783	G783B	N/A	31360	60566	
13785	EG24785	G785B	8760	31621	N/A	
13787	EG24787	G787B	N/A	N/A	60754	
13793	EG24793	G793B	9061	31331	N/A	
13795	EG24795	G795B	N/A	N/A	60674	
13796	EG24796	G796B	9223	31526	60639	
13797	EG24797	G797B	N/A	N/A	60581	
13798	EG24798	G798B	9261	31394	60584	
13799	EG24799	G799B	9255	31535	60665	
13800	EG24800	G800B	9290	31562	60690	
13801	EG24801	G801B	N/A	N/A	60623	
13802	EG24802	G802B	N/A	N/A	N/A	
13805	EG24805	G805B	N/A	N/A	N/A	
13807	EG24807	G807B	9095	31372	60641	
13809	EG24809	G809B	9097	31371	61267	
13811	EG24811	G811B	8692	N/A	60714	
13812	EG24812	G812B	9235	31395	60688	
13813	EG24813	G813B	N/A	N/A	N/A	
13814	EG24814	G814B	N/A	N/A	N/A	
13817	EG24817	G817B	9050	31385	N/A	
13818	EG24818	G818B	9015	31546	N/A	
13820	EG24820	G820B	9098	31389	60634	
13821	EG24821	G821B	9014	N/A	N/A	
13826	EG24826	G826B	9267	31586	60776	
13830	EG24830	G830B	9253	31536	60680	
13832	EG24832	G832B	9218	31549	60461	

# Exhaust Gasket Interchange

ni #	ROL Number	Marwil Number	AP/Goerlich's Number	Walker Number	Fel-Pro Number	Notes
13833	EG24833	G833B	N/A	N/A	N/A	
13834	EG24834	G834B	N/A	N/A	60701	
13835	EG24835	G835B	N/A	31387	60460	
13838	EG24838	G838B	N/A	N/A	60849	
13839	EG24839	G839B	9100	N/A	60850	
13840	G1004	G1004	N/A	31392	N/A	
13841	EG24841	G841B	9234	31398	60718	
13842	EG24842	G842B	9245	31530	60712	
13843	EG24843	G843B	N/A	N/A	60669	
13845	EG24845	G845B	9239	31528	61080	
13845	EG24845	G845B	9239	31528	61080	
13846	EG24846	G846B	9256	31532	60868	
13847	EG24847	G847B	9248	31531	60810	
13848	EG24848	G848B	9257	31533	60800	
13849	EG24849	G849B	9227	31538	N/A	
13851	EG24851	G851B	9263	31545	60796	
13852	EG24852	G852B	N/A	31673	60828	
13854	EG24854	N/A	8689	N/A	N/A	
13855	EG24855	G855B	N/A	N/A	60924	
13856	EG24856	G856B	N/A	N/A	60753	
13858	EG24858	G858B	N/A	N/A	N/A	
13859	G1001	G1001	N/A	N/A	N/A	
13859	EG24859	N/A	N/A	N/A	60885	
13860	EG24860	N/A	N/A	N/A	N/A	
13861	EG24861	G861B	9244	31543	N/A	
13863	EG24863	G863B	8734	31542	N/A	
13864	EG24864	G864B	9213	31603	60693	
13866	EG24866	G866B	N/A	N/A	N/A	
13867	EG24867	G867B	N/A	N/A	60771	
13868	EG24868	N/A	9257	N/A	61010	
13872	EG24872	G872B	9250	31560	60867	
13873	EG24873	G873B	9276	31686	60730	
13874	EG24874	G874B	N/A	N/A	60704	
13875	EG24875	G875B	9251	31570	60798	
13877	EG24877	G877B	N/A	31685	60708	
13878	EG24878	G878B	N/A	N/A	60738	
13879	EG24879	G879B	N/A	N/A	60733	
13880	EG24880	G880B	9258	N/A	60713	
13881	EG24881	G881B	N/A	N/A	60642	
13882	EG24882	G882B	N/A	N/A	60710	
13884	EG24884	G884B	N/A	N/A	60660	
13885	EG24885	G885B	N/A	31667	60934	
13886	EG24886	G886B	N/A	31539	N/A	
13887	EG24887	G887B	N/A	31550	N/A	

# Exhaust Gasket Interchange

ni #	ROL Number	Marwil Number	AP/Goerlich's Number	Walker Number	Fel-Pro Number	Notes
13888	EG24888	G888B	N/A	N/A	N/A	
13889	EG24889	G889B	9242	N/A	N/A	
13890	EG24890	G890B	N/A	N/A	N/A	
13891	EG24891	G891B	9266	N/A	60937	
13892	EG24892	G892B	N/A	N/A	N/A	
13893	EG24893	G893B	N/A	N/A	N/A	
13895	EG24895	G895B	N/A	N/A	60955	
13896	EG24896	G896B	N/A	31693	60936	
13897	EG24897	G897B	9022	31613	60992	
13898	EG24898	G898B	N/A	N/A	60857	
13899	EG24899	G899B	N/A	N/A	61011	
13900	EG24900	G900B	N/A	N/A	N/A	
13901	EG24901	G901B	9269	31592	60917	
13902	EG24902	G902B	N/A	N/A	61365	
13903	EG24903	G903B	N/A	N/A	60935	
13904	EG24904	G904B	N/A	N/A	N/A	
13905	EG24905	G905B	8761	31624	N/A	
13906	EG24906	G906B	8401	N/A	N/A	
13907	EG24907	G907B	9268	N/A	60877	
13908	EG24908	G908B	9265	31558	60993	
13909	EG24909	G909B	8733	N/A	61015	
13910	EG24910	G910B	N/A	31554	60854	
13911	EG24911	G911B	N/A	N/A	N/A	
13912	EG24912	G912B	N/A	N/A	60679	
13914	EG24914	G914B	N/A	31553	N/A	
13915	EG24915	G915B	N/A	31563	60789	
13916	EG24916	G916B	N/A	31557	60884	
13917	EG24917	G917B	N/A	31556	61013	
13918	EG24918	G918B	N/A	31555	60772	
13919	EG24919	G919B	N/A	31559	61361	
13920	EG24920	G920B	9016	N/A	N/A	
13921	EG24921	G921B	9247	31561	60866	
13922	EG24922	G922B	8688	N/A	N/A	
13923	EG24923	G923B	9233	31566	N/A	
13924	EG24924	G924B	N/A	N/A	60860	
13925	EG24925	G925B	N/A	N/A	60459	
13926	EG24926	G926B	N/A	N/A	N/A	
13931	EG24931	G931B	N/A	31628	N/A	
13933	EG24933	G933B	N/A	N/A	N/A	
13941	EG24941	G941B	N/A	N/A	60957	
13943	EG24943	G943B	N/A	N/A	N/A	
13944	EG24944	G944B	N/A	N/A	N/A	
13945	EG24945	G945B	9011	N/A	N/A	
13946	EG24946	G946B	N/A	N/A	60943	



# Exhaust Gasket Interchange

ni #	ROL Number	Marwil Number	AP/Goerlich's Number	Walker Number	Fel-Pro Number	Notes
13947	EG24947	G947B	N/A	N/A	N/A	
13948	EG24948	G948B	N/A	N/A	N/A	
13952	EG24952	G952B	N/A	N/A	N/A	
13954	EG24954	G954B	N/A	N/A	N/A	
13955	EG24955	G955B	N/A	N/A	N/A	
13959	EG24959	G959B	N/A	N/A	N/A	
13962	EG24962	G962B	N/A	N/A	N/A	
13963	EG24963	G963B	N/A	31614	N/A	
13964	EG24964	G964B	N/A	N/A	8938	
13966	EG24966	G966B	N/A	31669	61017	
13967	EG24967	G967B	N/A	N/A	N/A	
13968	EG24968	G968B	N/A	N/A	N/A	
13969	EG24969	G969B	N/A	N/A	61040	
13970	EG24970	G970B	N/A	31600	60980	
13973	EG24973	G973B	9216	N/A	61106	
13974	EG24974	G974B	N/A	N/A	N/A	
13976	EG24976	G976B	N/A	31654	60829	
13979	EG24979	G979B	N/A	31689	60827	
13981	EG24981	G981B	N/A	31576	60871	
13983	EG24983	G983B	N/A	N/A	N/A	
13985	EG24985	G985B	N/A	31615	N/A	
13987	EG24987	G987B	N/A	N/A	N/A	
13988	EG24988	G988B	9270	N/A	61503	
13989	EG24989	G989B	N/A	N/A	N/A	
13991	EG24991	G991B	N/A	N/A	60905	
13992	EG24992	G992B	N/A	N/A	N/A	
13993	EG24993	G993B	N/A	31619	60723	
13995	EG24995	G995B	N/A	N/A	60512	
13996	EG24996	G996B	N/A	N/A	N/A	
13997	EG24997	G997B	8701	31590	60967	
13998	EG24998	G998B	9281	31593	61295	
13999	EG24999	G999B	N/A	N/A	N/A	

